

Crimping Tables

Rev.12



Hydraulic
Connexion

Hydraulic Connexion

Warnings



All instructions and data contained on these Crimping Tables are aimed to provide useful information on the assembly of **MARKHIP** flexible hose with crimped fittings and ferrules manufactured by **OLMARK**. Should the end-user utilise different products from different manufacturers that haven't been suggested by **OLMARK**, there cannot be any reference to **OLMARK** Crimping Tables.

How to choose the correct die set

Choosing the correct die set of a crimping machine, also considering the suggested crimping diameter, ensures ferrules uniform compression, distributed all over the surface of the component. As per this, **OLMARK** suggests to refer to the table below:

Crimping Interval \emptyset (mm)	10-11,9	12-13,9	14-15,9	16-18,9	19-21,9	22-25,9	26-29,9	30-33,9	34-38,9	39-44,9	45-50,9	51-56,9	57-62,9	63-68,9	69-73,9	74-77,9	78-80,9
Min. crimping \emptyset CC (mm)	10	12	14	16	19	22	26	30	34	39	45	51	57	63	69	74	78



Example

In case the Crimping diameter to set was 21.2:

- 1) Identify on the Table the crimping interval \emptyset that includes the value that has to be obtained (for this example it would be 19-21.9)
- 2) A correct interpretation of the Tables will lead to the choice of die sets with a diameter (\emptyset CC) of 19.



TF1SN

Hydraulic Connexion




HOSE CRIMPING TABLE

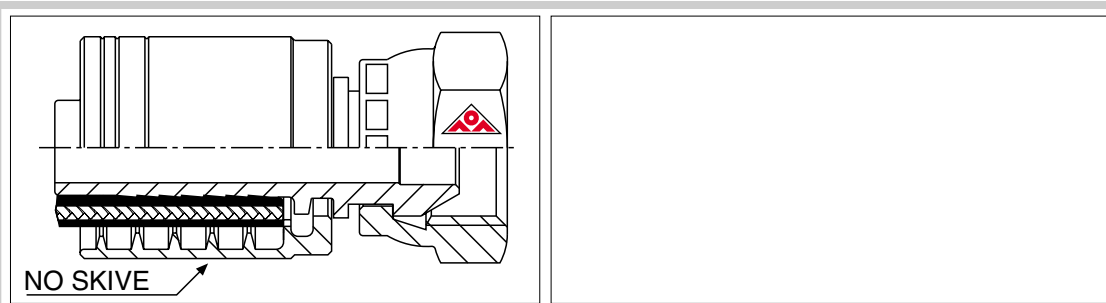


TF1SN

According to DIN20022 1SN/EN 853 1SN ISO 1436
Exceeds requirement of SAE J 517 (100 R1AT) ISO 1436



HOSE SIZE			MARKHIP HOSE I. D.	MARKHIP HOSE O. D.	MARKHIP HOSE REINF.	OLMARK FERRULE	OLMARK FERRULE O. D.	OLMARK FERRULE I. D.	OLMARK FERRULE LENGHT	EXTERNAL SKIVING LENGHT	INTERNAL SKIVING LENGHT	Ø CRIMPED FERRULE	* TAIL BORE COLLAPSE SMASS GAUGE		
SIZE	Inch	DIN (mm)	mm	mm	mm	COD.	mm	mm	mm	LE mm (+0,4/-0,2)	LI mm (+0,4/-0,2)	mm (+0/-0,2)			
03															
04	1/4"	6,5	6,7	13,3	11,1	BPNSK04	22	15,8	30	No Skive	No Skive	16,6	SMCAIPNP04C		
05	5/16"	8	8,1	15	12,7	BPNSK05	24	17,4	30	No Skive	No Skive	18,4	SMCAIPNP05B		
06	3/8"	9,5	9,7	17,3	15,1	BPNSK06	26	19,8	31	No Skive	No Skive	20,4	SMCAIPNP06C		
08	1/2"	13	12,3	20,6	18,3	BPNSK08	30	23,1	34	No Skive	No Skive	24,2	SMCAIPNP08A		
10	5/8"	16	16,5	23,6	21,4	BPNSK10	35	26,5	37	No Skive	No Skive	29	SMCAIPNP10A		
12	3/4"	19	19,3	28	25,4	BPNSK12	39	30,6	43	No Skive	No Skive	32,6	SMCAIPNP12A		
16	1"	25	25,9	36	33,3	BPNSK16	47	39	50	No Skive	No Skive	40,6	SMCAIPNP16A		
20	1 1/4"	32	32,2	44,3	40,5	BPNSK20	58	49,6	58,5	No Skive	No Skive	48,2		SMCAIP20A	SMCAIP20A
24	1 1/2"	38	38,3	51,2	47,9	BPNSK24	65	56	63	No Skive	No Skive	56		SMCAIP24A	SMCAIP24A
32	2"	51	51,4	63,5	60,6	BPNSK32	78	59	68	No Skive	No Skive	68,3		SMCAIP32A	SMCAIP32A



"BP" ferrules use only "IP" inserts.

WARNING:

- OLMARK Company reserves the rights to introduce improving modifications whenever necessary.
- In case of "NO-SKIVE" ferrule crimping, the tail bore collapse value may not respond to what indicated in the table.
- The listed crimping datas have been developed in the OLMARK R&D laboratories and refer to tests carried out on rubber and thermoplastic MARKHIP hoses. Such values are anyway to be considered advisory and not binding for OLMARK cause the impossibility to consider technical variability that only the a skilled coupler can recognize.
- For new applications and different hose brand/sources, modification and technical support, please to contact our technical dpt.

*** SMASS**
For a correct use, please read the indicated characteristics on the suitable document in "download" section.

TF1SN

Hydraulic Connexion

HOSE CRIMPING TABLE

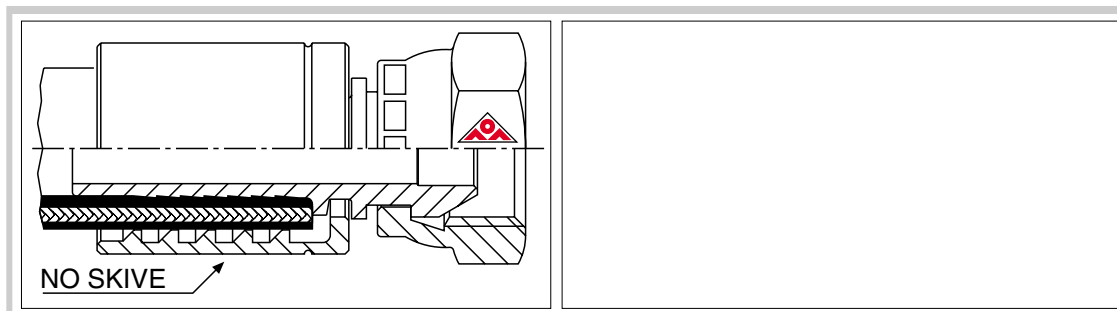


TF1SN

According to DIN20022 1SN/EN 853 1SN ISO 1436
Exceeds requirement of SAE J 517 (100 R1AT) ISO 1436



HOSE SIZE			MARKHIP HOSE I. D.	MARKHIP HOSE O. D.	MARKHIP HOSE REINF.	OLMARK FERRULE	OLMARK FERRULE O. D.	OLMARK FERRULE I. D.	OLMARK FERRULE LENGHT	EXTERNAL SKIVING LENGHT	INTERNAL SKIVING LENGHT	Ø CRIMPED FERRULE	* TAIL BORE COLLAPSE SMASS GAUGE		
SIZE	Inch	DIN (mm)	mm	mm	mm	COD.	mm	mm	mm	LE mm (+0,4/-0,2)	LI mm (+0,4/-0,2)	mm (+0/-0,2)	P - NP	P	NP
03	3/16"	5	5,2	11,7	9,5	BP1SN03	17	13	26,5	No Skive	No Skive	13,7	SMCAIPNP03A		
04	1/4"	6,5	6,7	13	11,1	BP1SN04	20	14,7	30,8	No Skive	No Skive	16,5	SMCAIPNP04A		
05	5/16"	8	8,1	14,9	12,7	BP1SN05	22	16	30,5	No Skive	No Skive	18,5	SMCAIPNP05A		
06	3/8"	9,5	9,7	17,3	15,1	BP1SN06	24	18,5	30,8	No Skive	No Skive	20,5	SMCAIPNP06A		
08	1/2"	13	12,9	20,3	18,3	BP1SN08	28,5	22	34	No Skive	No Skive	23,7	SMCAIPNP08A		
10	5/8"	16	16,5	23,5	21,4	BP1SN10	32	25,2	40	No Skive	No Skive	26,9	SMCAIPNP10A		
12	3/4"	19	19,3	27,8	25,4	BP1SN12	36	29	43	No Skive	No Skive	31,5	SMCAIPNP12A		
16	1"	25	25,9	35,6	33,3	BP1SN16	43	37	50	No Skive	No Skive	38,9	SMCAIPNP16A		



"BP" ferrules use only "IP" inserts.

WARNING:

- OLMARK Company reserves the rights to introduce improving modifications whenever necessary.
- In case of "NO-SKIVE" ferrule crimping, the tail bore collapse value may not respond to what indicated in the table.
- The listed crimping datas have been developed in the OLMARK R&D laboratories and refer to tests carried out on rubber and thermoplastic MARKHIP hoses. Such values are anyway to be considered advisory and not binding for OLMARK cause the impossibility to consider technical variability that only the a skilled coupler can recognize.
- For new applications and different hose brand/sources, modification and technical support, please to contact our technical dpt.

*** SMASS**
For a correct use, please read the indicated characteristics on the suitable document in "download" section.

TF1ST

Hydraulic Connexion

HOSE CRIMPING TABLE

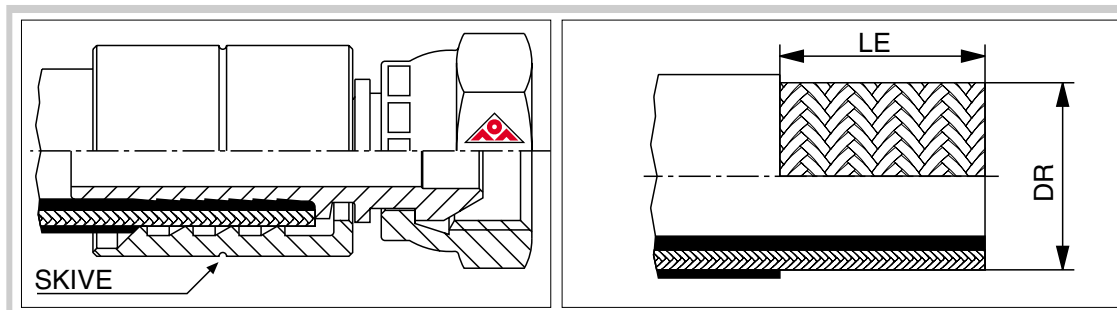


TF1ST

According to DIN20022 1ST/EN 853 1ST ISO 1436
Exceeds requirement of SAE J 517 (100 R1A) ISO 1436



HOSE SIZE			MARKHIP HOSE I. D.	MARKHIP HOSE O. D.	MARKHIP HOSE REINF.	OLMARK FERRULE	OLMARK FERRULE O. D.	OLMARK FERRULE I. D.	OLMARK FERRULE LENGHT	EXTERNAL SKIVING LENGHT	INTERNAL SKIVING LENGHT	Ø CRIMPED FERRULE	* TAIL BORE COLLAPSE SMASS GAUGE		
SIZE	Inch	DIN (mm)	mm	mm	mm	COD.	mm	mm	mm	LE mm (+0,4/-0,2)	LI mm (+0,4/-0,2)	mm (+0/-0,2)	P - NP	P	NP
03	3/16"	5	5,3	12,7	9,5	BP1ST03	17	10,6	26,5	21	No Skive	15	SMCAIPNP03A		
04	1/4"	6,5	6,7	15,6	11	BP1ST04	20	13,2	30	23	No Skive	17	SMCAIPNP04A		
05	5/16"	8	8,1	17,7	12,5	BP1ST05	22	14,5	30	23	No Skive	19	SMCAIPNP05A		
06	3/8"	9,5	9,8	19,4	15	BP1ST06	24	16,4	31	24	No Skive	21	SMCAIPNP06A		
08	1/2"	13	13,2	23	18,3	BP1ST08	28	20	34,5	27	No Skive	24,9	SMCAIPNP08A		
10	5/8"	16	16,2	26,2	21,4	BP1ST10	32	23,5	37	29	No Skive	28,3	SMCAIPNP10A		
12	3/4"	19	19,2	29,7	24,8	BP1ST12	36	27,5	43	36	No Skive	32,3	SMCAIPNP12A		
16	1"	25	25,5	38,2	33,7	BP1ST16	43	35	50	40	No Skive	39,9	SMCAIPNP16A		
20	1 1/4"	32	32,6	46,3	40,7	BP1ST20	52	42,5	57	47	No Skive	47,7		SMCAIP20A	SMCAIP20A
24	1 1/2"	38	38,8	51,9	46,5	BP1ST24	57	48	63	52	No Skive	54		SMCAIP24A	SMCAIP24A
32	2"	51	51,7	66	59,9	BP1ST32	70	61,4	78	64	No Skive	65,9		SMCAIP32A	SMCAIP32A



"BP" ferrules use only "IP" inserts, the "BP1ST" ferrules can be used also on SAE 100 R1T (DIN 20022 1SN) if suitably skived & crimped as per TF1ST table.

WARNING:

- OLMARK Company reserves the rights to introduce improving modifications whenever necessary.
- In case of "NO-SKIVE" ferrule crimping, the tail bore collapse value may not respond to what indicated in the table.
- The listed crimping datas have been developed in the OLMARK R&D laboratories and refer to tests carried out on rubber and thermoplastic MARKHIP hoses. Such values are anyway to be considered advisory and not binding for OLMARK cause the impossibility to consider technical variability that only the a skilled coupler can recognize.
- For new applications and different hose brand/sources, modification and technical support, please to contact our technical dpt.

*** SMASS**
For a correct use, please read the indicated characteristics on the suitable document in "download" section.

TF2SN

Hydraulic Connexion


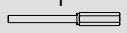
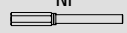
HOSE CRIMPING TABLE

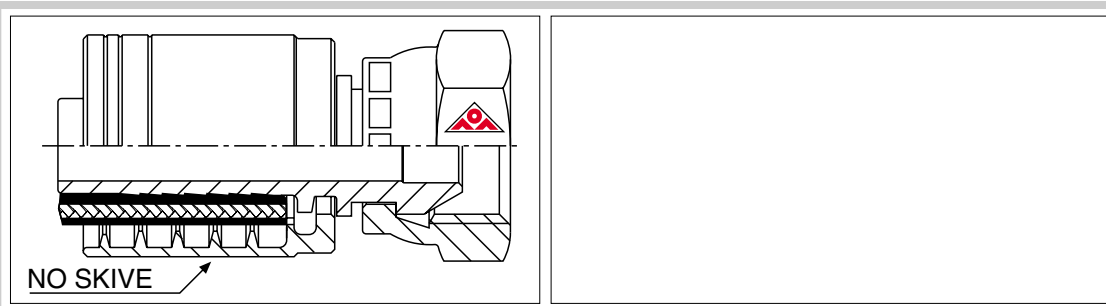


TF2SN

According to DIN20022 2SN/EN 853 2SN ISO 1436
Exceeds requirement of SAE J 517 (100 R2AT) ISO 1436



HOSE SIZE			MARKHIP HOSE I. D.	MARKHIP HOSE O. D.	MARKHIP HOSE REINF.	OLMARK FERRULE	OLMARK FERRULE O. D.	OLMARK FERRULE I. D.	OLMARK FERRULE LENGHT	EXTERNAL SKIVING LENGHT	INTERNAL SKIVING LENGHT	Ø CRIMPED FERRULE	* TAIL BORE COLLAPSE SMASS GAUGE			
SIZE	Inch	DIN (mm)	mm	mm	mm	COD.	mm	mm	mm	LE mm (+0,4/-0,2)	LI mm (+0,4/-0,2)	mm (+0/-0,2)				
03																
04	1/4"	6,5	6,7	14,9	12,7	BPNSK04	22	15,8	30	No Skive	No Skive	17,4	SMCAIPNP04B			
05	5/16"	8	8,2	16,8	14,3	BPNSK05	24	17,4	30	No Skive	No Skive	19,8	SMCAIPNP05C			
06	3/8"	9,5	9,7	19	16,7	BPNSK06	26	19,8	31	No Skive	No Skive	21,2	SMCAIPNP06B			
08	1/2"	13	12,9	22	19,8	BPNSK08	30	23,1	34	No Skive	No Skive	25	SMCAIPNP08C			
10	5/8"	16	16,4	25	23	BPNSK10	35	26,5	37	No Skive	No Skive	30,2	SMCAIPNP10A			
12	3/4"	19	19,3	29,3	27	BPNSK12	39	30,6	43	No Skive	No Skive	34	SMCAIPNP12A			
16	1"	25	25,8	38,2	34,9	BPNSK16	47	39	50	No Skive	No Skive	41,6	SMCAIPNP16A			
20	1 1/4"	32	32,6	47,9	44,5	BPNSK20	58	49,6	58,5	No Skive	No Skive	50,6		SMCAIP20A	SMCAIP20A	
24	1 1/2"	38	38,3	54,5	50,4	BPNSK24	65	56	63	No Skive	No Skive	58		SMCAIP24A	SMCAIP24A	
32	2"	51	51,2	67,5	63,9	BPNSK32	78	69	68	No Skive	No Skive	70		SMCAIP32A	SMCAIP32A	



"BP" ferrules use only "IP" inserts, the "BP2ST" ferrules can be used also on SAE 100 R2T (DIN 20022 2SN) if suitably skived & crimped as per TF2ST table.

WARNING:

- OLMARK Company reserves the rights to introduce improving modifications whenever necessary.
- In case of "NO-SKIVE" ferrule crimping, the tail bore collapse value may not respond to what indicated in the table.
- The listed crimping datas have been developed in the OLMARK R&D laboratories and refer to tests carried out on rubber and thermoplastic MARKHIP hoses. Such values are anyway to be considered advisory and not binding for OLMARK cause the impossibility to consider technical variability that only the a skilled coupler can recognize.
- For new applications and different hose brand/sources, modification and technical support, please to contact our technical dpt.

*** SMASS**

For a correct use, please read the indicated characteristics on the suitable document in "download" section.

TF2ST

Hydraulic Connexion


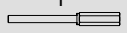
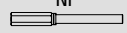
HOSE CRIMPING TABLE

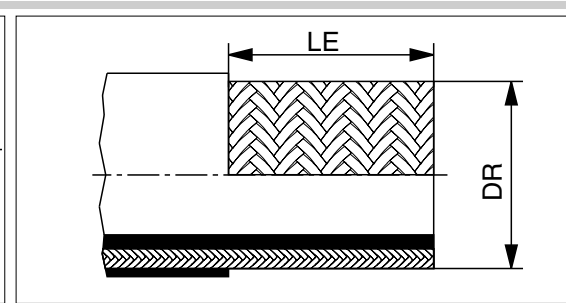
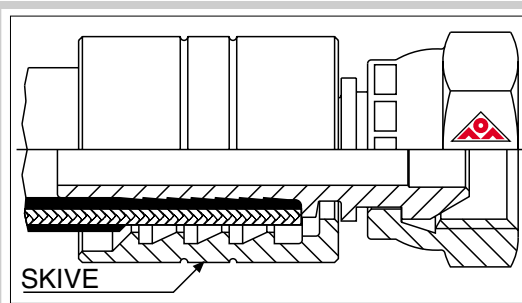


TF2ST

According to DIN20022 2ST/EN 853 2ST ISO 1436
Exceeds requirement of SAE J 517 (100 R2A) ISO 1436



HOSE SIZE			MARKHIP HOSE I. D.	MARKHIP HOSE O. D.	MARKHIP HOSE REINF.	OLMARK FERRULE	OLMARK FERRULE O. D.	OLMARK FERRULE I. D.	OLMARK FERRULE LENGHT	EXTERNAL SKIVING LENGHT	INTERNAL SKIVING LENGHT	Ø CRIMPED FERRULE	* TAIL BORE COLLAPSE SMASS GAUGE		
SIZE	Inch	DIN (mm)	mm	mm	mm	COD.	mm	mm	mm	LE mm (+0,4/-0,2)	LI mm (+0,4/-0,2)	mm (+0/-0,2)			
03	3/16"	5	5	15,9	11,1	BP2ST03	20	12,5	27	21	No Skive	17	SMCAIPNP03A		
04	1/4"	6,5	6,6	17,5	12,7	BP2ST04	21	14,5	30,5	24	No Skive	18	SMCAIPNP04A		
05	5/16"	8	8,1	19,1	14,3	BP2ST05	24	16,5	31	24	No Skive	20,4	SMCAIPNP05A		
06	3/8"	9,5	9,9	21	17	BP2ST06	26	18	32	25	No Skive	22,8	SMCAIPNP06A		
08	1/2"	13	13	24,1	19,8	BP2ST08	30	22	34,5	27	No Skive	26	SMCAIPNP08A		
10	5/8"	16	12,9	27,8	23	BP2ST10	34	25,5	37	30	No Skive	30,1	SMCAIPNP10A		
12	3/4"	19	19,2	31,3	27	BP2ST12	38	29	43	36	No Skive	33,5	SMCAIPNP12A		
16	1"	25	25,7	39,7	34,9	BP2ST16	46	36,6	50	40	No Skive	41,8	SMCAIPNP16A		
20	1 1/4"	32	32,2	50,8	44,5	BP2ST20	56	45,2	58,5	48	No Skive	50,5		SMCAIP20A	SMCAIPNP20A
24	1 1/2"	38	38,5	57,2	50,8	BP2ST24	62	52	63	51	No Skive	57,5		SMCAIP24A	SMCAIPNP24A
32	2"	51	51,2	69,8	63,5	BP2ST32	75	64	79	65	No Skive	69,5		SMCAIP32A	SMCAIPNP32A



"BP" ferrules use only "IP" inserts, the "BP2ST" ferrules can be used also on SAE 100 R2T (DIN 20022 2SN) if suitably skived & crimped as per TF2ST table.

WARNING:
 - OLMARK Company reserves the rights to introduce improving modifications whenever necessary.
 - In case of "NO-SKIVE" ferrule crimping, the tail bore collapse value may not respond to what indicated in the table.
 - The listed crimping datas have been developed in the OLMARK R&D laboratories and refer to tests carried out on rubber and thermoplastic MARKHIP hoses. Such values are anyway to be considered advisory and not binding for OLMARK cause the impossibility to consider technical variability that only the a skilled coupler can recognize.
 - For new applications and different hose brand/sources, modification and technical support, please to contact our technical dpt.

*** SMASS**
 For a correct use, please read the indicated characteristics on the suitable document in "download" section.

TFDL2

Hydraulic Connexion




HOSE CRIMPING TABLE

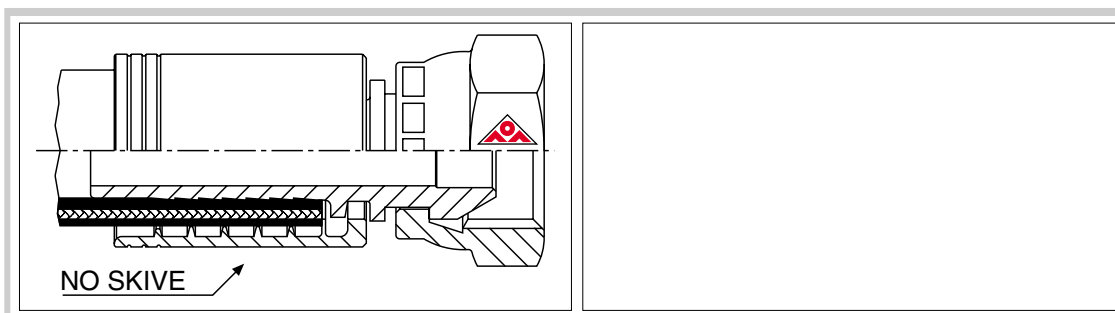


TFDL2

Exceeds requirement of EN 857 / 1SC



HOSE SIZE			MARKHIP HOSE I. D.	MARKHIP HOSE O. D.	MARKHIP HOSE REINF.	OLMARK FERRULE	OLMARK FERRULE O. D.	OLMARK FERRULE I. D.	OLMARK FERRULE LENGHT	EXTERNAL SKIVING LENGHT	INTERNAL SKIVING LENGHT	Ø CRIMPED FERRULE	* TAIL BORE COLLAPSE SMASS GAUGE			
SIZE	Inch	DIN (mm)	mm	mm	mm	COD.	mm	mm	mm	LE mm (+0,4/-0,2)	LI mm (+0,4/-0,2)	mm (+0/-0,2)				
03																
04	1/4"	6,5	6,7	12,2	10,2	BPDL204	18	13,5	30	No Skive	No Skive	14,5	SMCAIPNP04B			
05	5/16"	8	8,1	13,4	11,5	BPDL205	21	16	30	No Skive	No Skive	16,6	SMCAIPNP05B			
06	3/8"	9,5	9,7	15,6	13,6	BPDL206	22	17	31	No Skive	No Skive	18	SMCAIPNP06B			
08	1/2"	13	13,2	18,8	17	BPDL208	26	20,5	34	No Skive	No Skive	22,2	SMCAIPNP08C			
10																
12																
16																
20																
24																
32																



"BP" ferrules use only "IP" inserts.

WARNING:

- OLMARK Company reserves the rights to introduce improving modifications whenever necessary.
- In case of "NO-SKIVE" ferrule crimping, the tail bore collapse value may not respond to what indicated in the table.
- The listed crimping datas have been developed in the OLMARK R&D laboratories and refer to tests carried out on rubber and thermoplastic MARKHIP hoses. Such values are anyway to be considered advisory and not binding for OLMARK cause the impossibility to consider technical variability that only the a skilled coupler can recognize.
- For new applications and different hose brand/sources, modification and technical support, please to contact our technical dpt.

*** SMASS**
For a correct use, please read the indicated characteristics on the suitable document in "download" section.

TFCPX

Hydraulic Connexion

HOSE CRIMPING TABLE

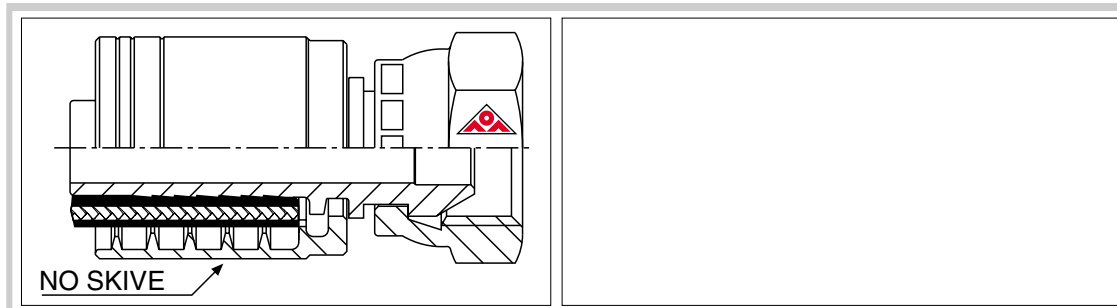


TFCPX

According to SAE J 517 (100 R16)



HOSE SIZE			MARKHIP HOSE I. D.	MARKHIP HOSE O. D.	MARKHIP HOSE REINF.	OLMARK FERRULE	OLMARK FERRULE O. D.	OLMARK FERRULE I. D.	OLMARK FERRULE LENGHT	EXTERNAL SKIVING LENGHT	INTERNAL SKIVING LENGHT	Ø CRIMPED FERRULE	* TAIL BORE COLLAPSE SMASS GAUGE			
SIZE	Inch	DIN (mm)	mm	mm	mm	COD.	mm	mm	mm	LE mm (+0,4/-0,2)	LI mm (+0,4/-0,2)	mm (+0/-0,2)				
03																
04	1/4"	6,5	6,7	13	11,2	BPNSK04	22	15,8	30	No Skive	No Skive	16,6	SMCAIPNP04C			
05	5/16"	8	8,1	15	12,7	BPNSK05	24	17,4	30	No Skive	No Skive	18,5	SMCAIPNP05C			
06	3/8"	9,5	9,7	17,1	15,1	BPNSK06	26	19,8	31	No Skive	No Skive	20,2	SMCAIPNP06C			
08	1/2"	13	12,8	20,8	18,2	BPNSK08	30	23,1	34	No Skive	No Skive	24,2	SMCAIPNP08A			
10	5/8"	16	16,1	23,8	21,4	BPNSK10	35	26,5	37	No Skive	No Skive	29	SMCAIPNP10A			
12	3/4"	19	19,1	27,6	25,4	BPNSK12	39	30,6	43	No Skive	No Skive	32,6	SMCAIPNP12A			
16	1"	25	24,7	35,8	33,3	BPNSK16	47	39	50	No Skive	No Skive	40,6	SMCAIPNP16A			
20	1 1/4"	32	32,2	43,2	40,5	BPNSK20	58	49,6	58,5	No Skive	No Skive	47		SMCAIP20A	SMCAIP20A	
24																
32																



"BP" ferrules use only "IP" inserts.

WARNING:

- OLMARK Company reserves the rights to introduce improving modifications whenever necessary.
- In case of "NO-SKIVE" ferrule crimping, the tail bore collapse value may not respond to what indicated in the table.
- The listed crimping datas have been developed in the OLMARK R&D laboratories and refer to tests carried out on rubber and thermoplastic MARKHIP hoses. Such values are anyway to be considered advisory and not binding for OLMARK cause the impossibility to consider technical variability that only the a skilled coupler can recognize.
- For new applications and different hose brand/sources, modification and technical support, please to contact our technical dpt.

*** SMASS**

For a correct use, please read the indicated characteristics on the suitable document in "download" section.

TFCPX

Hydraulic Connexion

HOSE CRIMPING TABLE

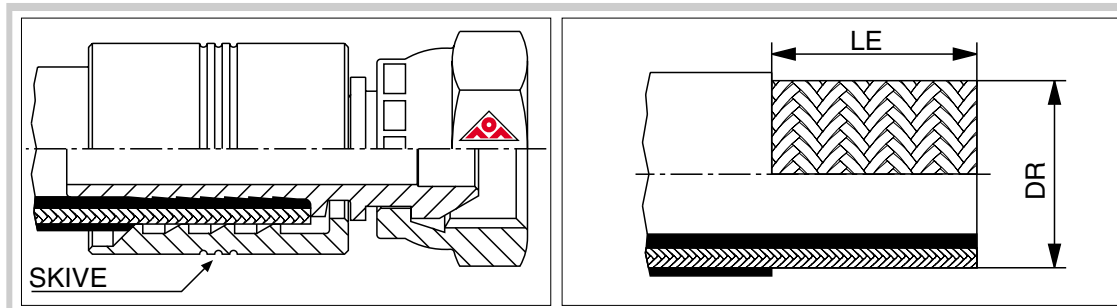


TFCPX

According to SAE J 517 (100 R16)



HOSE SIZE			MARKHIP HOSE I. D.	MARKHIP HOSE O. D.	MARKHIP HOSE REINF.	OLMARK FERRULE	OLMARK FERRULE O. D.	OLMARK FERRULE I. D.	OLMARK FERRULE LENGHT	EXTERNAL SKIVING LENGHT	INTERNAL SKIVING LENGHT	Ø CRIMPED FERRULE	* TAIL BORE COLLAPSE SMASS GAUGE			
SIZE	Inch	DIN (mm)	mm	mm	mm	COD.	mm	mm	mm	LE mm (+0,4/-0,2)	LI mm (+0,4/-0,2)	mm (+0/-0,2)				
03																
04	1/4"	6,5	6,7	13	11,2	BPCPX04	20	13,2	30	23	No Skive	17	SMCAIPNP04A			
05	5/16"	8	8,1	15	12,7	BPCPX05	22	14,5	30	23	No Skive	19	SMCAIPNP05A			
06	3/8"	9,5	9,7	17,1	15,1	BPCPX06	24	16,4	31	24	No Skive	21	SMCAIPNP06A			
08	1/2"	13	12,8	20,8	18,2	BPCPX08	28	20	34,5	27	No Skive	24,9	SMCAIPNP08A			
10	5/8"	16	16,1	23,8	21,4	BPCPX10	32	23,5	37	29	No Skive	28,3	SMCAIPNP10A			
12	3/4"	19	19,1	27,6	25,4	BPCPX12	36	27,5	43	36	No Skive	32,3	SMCAIPNP12A			
16	1"	25	24,7	35,8	33,3	BPCPX16	43	35	50	40	No Skive	39,9	SMCAIPNP16A			
20																
24																
32																



"BP" ferrules use only "IP" inserts.

WARNING:

- OLMARK Company reserves the rights to introduce improving modifications whenever necessary.
- In case of "NO-SKIVE" ferrule crimping, the tail bore collapse value may not respond to what indicated in the table.
- The listed crimping datas have been developed in the OLMARK R&D laboratories and refer to tests carried out on rubber and thermoplastic MARKHIP hoses. Such values are anyway to be considered advisory and not binding for OLMARK cause the impossibility to consider technical variability that only the a skilled coupler can recognize.
- For new applications and different hose brand/sources, modification and technical support, please to contact our technical dpt.

*** SMASS**
For a correct use, please read the indicated characteristics on the suitable document in "download" section.

TFTPR

Hydraulic Connexion




HOSE CRIMPING TABLE

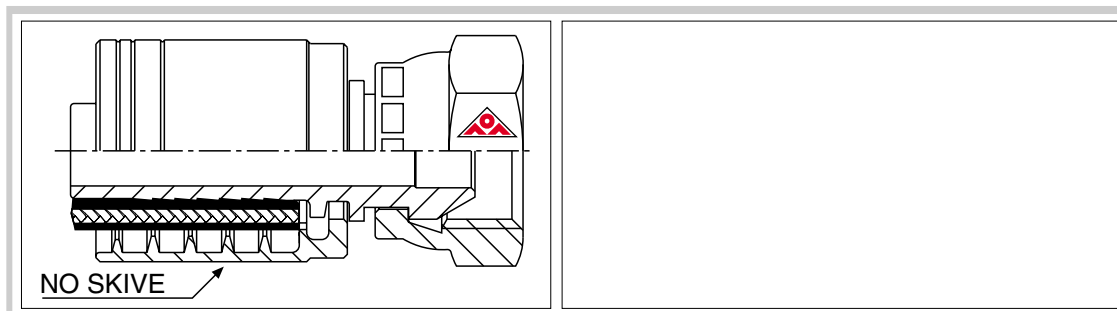


TFTPR

Exceeds requirement of SAE J 517 (100 R16) EN 857 2SC ISO 11237 type 2



HOSE SIZE			MARKHIP HOSE I. D.	MARKHIP HOSE O. D.	MARKHIP HOSE REINF.	OLMARK FERRULE	OLMARK FERRULE O. D.	OLMARK FERRULE I. D.	OLMARK FERRULE LENGHT	EXTERNAL SKIVING LENGHT	INTERNAL SKIVING LENGHT	Ø CRIMPED FERRULE	* TAIL BORE COLLAPSE SMASS GAUGE			
SIZE	Inch	DIN (mm)	mm	mm	mm	COD.	mm	mm	mm	LE mm (+0,4/-0,2)	LI mm (+0,4/-0,2)	mm (+0/-0,2)				
03																
04	1/4"	6,5	6,6	13,5	11,2	BPNSK04	22	15,8	30	No Skive	No Skive	17	SMCAIPNP04A			
05	5/16"	8	8,2	15,3	12,7	BPNSK05	24	17,4	30	No Skive	No Skive	19	SMCAIPNP05B			
06	3/8"	9,5	9,9	17,6	15	BPNSK06	26	19,8	31	No Skive	No Skive	20,6	SMCAIPNP06C			
08	1/2"	13	12,9	20,8	18,2	BPNSK08	30	23,1	34	No Skive	No Skive	24,8	SMCAIPNP08A			
10	5/8"	16	16	23,8	21,4	BPNSK10	35	26,5	37	No Skive	No Skive	29	SMCAIPNP10C			
12	3/4"	19	19,1	27,6	25,4	BPNSK12	39	30,6	43	No Skive	No Skive	32,6	SMCAIPNP12A			
16	1"	25	25,2	35,6	33,3	BPNSK16	47	39	50	No Skive	No Skive	40,6	SMCAIPNP16A			
20	1 1/4"	32	32,3	43,2	40,5	BPNSK20	58	49,6	58,5	No Skive	No Skive	48,2		SMCAIP20A	SMCAIP20A	
24																
32																



"BP" ferrules use only "IP" inserts.

WARNING:

- OLMARK Company reserves the rights to introduce improving modifications whenever necessary.
- In case of "NO-SKIVE" ferrule crimping, the tail bore collapse value may not respond to what indicated in the table.
- The listed crimping datas have been developed in the OLMARK R&D laboratories and refer to tests carried out on rubber and thermoplastic MARKHIP hoses. Such values are anyway to be considered advisory and not binding for OLMARK cause the impossibility to consider technical variability that only the a skilled coupler can recognize.
- For new applications and different hose brand/sources, modification and technical support, please to contact our technical dpt.

*** SMASS**
For a correct use, please read the indicated characteristics on the suitable document in "download" section.

TFSTP

Hydraulic Connexion




HOSE CRIMPING TABLE

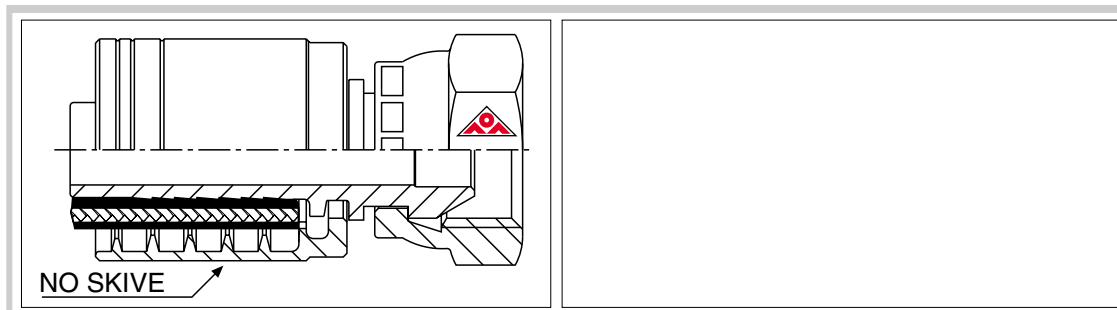


TFSTP

Exceeds requirement of SAE J 517 (100 R16) EN 857 2SC ISO 11237 type 2



HOSE SIZE			MARKHIP HOSE I. D.	MARKHIP HOSE O. D.	MARKHIP HOSE REINF.	OLMARK FERRULE	OLMARK FERRULE O. D.	OLMARK FERRULE I. D.	OLMARK FERRULE LENGHT	EXTERNAL SKIVING LENGHT	INTERNAL SKIVING LENGHT	Ø CRIMPED FERRULE	* TAIL BORE COLLAPSE SMASS GAUGE			
SIZE	Inch	DIN (mm)	mm	mm	mm	COD.	mm	mm	mm	LE mm (+0,4/-0,2)	LI mm (+0,4/-0,2)	mm (+0/-0,2)				
03																
04																
05																
06																
08	1/2"	13	12,8	20,4	18,4	BPNSK08	30	23,1	24,4	No Skive	No Skive	24,4	SMCAIPNP08C			
10																
12																
16	1"	25	25,6	35	33	BPNSK16	47	39	50	No Skive	No Skive	40	SMCAIPNP16A			
20																
24																
32																



"BP" ferrules use only "IP" inserts.

WARNING:

- OLMARK Company reserves the rights to introduce improving modifications whenever necessary.
- In case of "NO-SKIVE" ferrule crimping, the tail bore collapse value may not respond to what indicated in the table.
- The listed crimping datas have been developed in the OLMARK R&D laboratories and refer to tests carried out on rubber and thermoplastic MARKHIP hoses. Such values are anyway to be considered advisory and not binding for OLMARK cause the impossibility to consider technical variability that only the a skilled coupler can recognize.
- For new applications and different hose brand/sources, modification and technical support, please to contact our technical dpt.

*** SMASS**

For a correct use, please read the indicated characteristics on the suitable document in "download" section.

TFDCP

Hydraulic Connexion

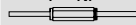
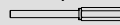
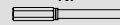
HOSE CRIMPING TABLE

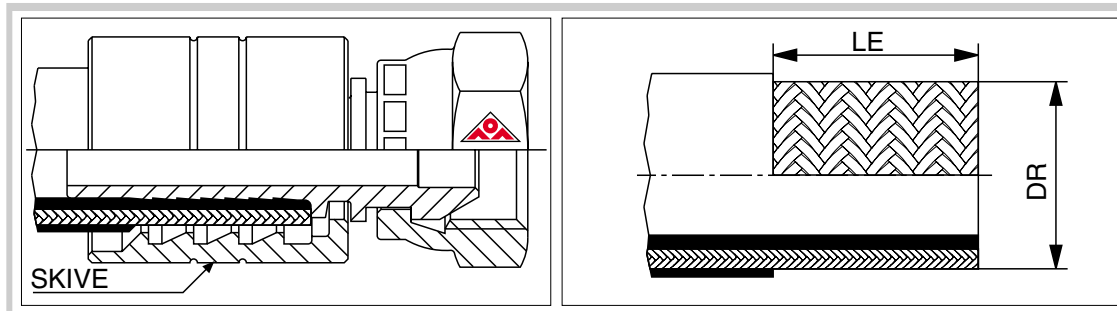


TFDCP

Exceeds requirement of SAE J 517 (100 R16) EN 857 2SC ISO 11237 type 2



HOSE SIZE			MARKHIP HOSE I. D.	MARKHIP HOSE O. D.	MARKHIP HOSE REINF.	OLMARK FERRULE	OLMARK FERRULE O. D.	OLMARK FERRULE I. D.	OLMARK FERRULE LENGHT	EXTERNAL SKIVING LENGHT	INTERNAL SKIVING LENGHT	Ø CRIMPED FERRULE	P - NP	P	NP
SIZE	Inch	DIN (mm)	mm	mm	mm	COD.	mm	mm	mm	LE mm (+0,4/-0,2)	LI mm (+0,4/-0,2)	mm (+0/-0,2)			
03															
04															
05															
06	3/8"	9,5	9,3	19	16,9	BP2ST06	26	18	32	25	No Skive	23	SMCAIPNP06C		
08	1/2"	13	13	22	19,8	BP2ST08	30	22	34,5	27	No Skive	26	SMCAIPNP08A		
10	5/8"	16	16,1	25	23	BP2ST10	34	25,5	37	30	No Skive	29,5	SMCAIPNP10A		
12	3/4"	19	19,2	29	27	BP2ST12	38	29	43	36	No Skive	34,1	SMCAIPNP12A		
16	1"	25	25,2	37,7	25,7	BP2ST16	46	36,6	50	40	No Skive	42	SMCAIPNP16A		
20															
24															
32															



"BP" ferrules use only "IP" inserts.

WARNING:

- OLMARK Company reserves the rights to introduce improving modifications whenever necessary.
- In case of "NO-SKIVE" ferrule crimping, the tail bore collapse value may not respond to what indicated in the table.
- The listed crimping datas have been developed in the OLMARK R&D laboratories and refer to tests carried out on rubber and thermoplastic MARKHIP hoses. Such values are anyway to be considered advisory and not binding for OLMARK cause the impossibility to consider technical variability that only the a skilled coupler can recognize.
- For new applications and different hose brand/sources, modification and technical support, please to contact our technical dpt.

*** SMASS**
For a correct use, please read the indicated characteristics on the suitable document in "download" section.

TFPZ3

Hydraulic Connexion




HOSE CRIMPING TABLE

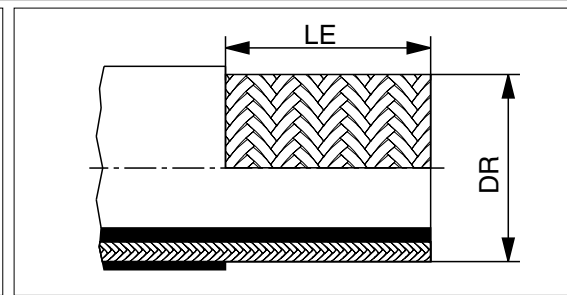
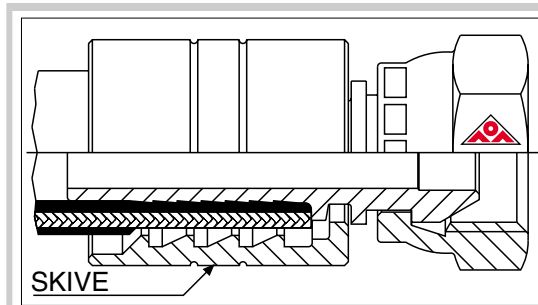


TFPZ3

Exceeds requirement of EN 856-R12 WP - DN 25: SAE J 517 (100 R9A) WP



HOSE SIZE			MARKHIP HOSE I. D.	MARKHIP HOSE O. D.	MARKHIP HOSE REINF.	OLMARK FERRULE	OLMARK FERRULE O. D.	OLMARK FERRULE I. D.	OLMARK FERRULE LENGHT	EXTERNAL SKIVING LENGHT	INTERNAL SKIVING LENGHT	Ø CRIMPED FERRULE	P - NP	P	NP
SIZE	Inch	DIN (mm)	mm	mm	mm	COD.	mm	mm	mm	LE mm (+0,4/-0,2)	LI mm (+0,4/-0,2)	mm (+0/-0,2)			
03	3/16"	5											SMCAIPNP03A		
04	1/4"	6,5	6,8	13,2	11,1	BPR9R04	22	15	32,5	25	No Skive	19,3	SMCAIPNP04A		
05	5/16"	8											SMCAIPNP05A		
06	3/8"	9,5	9,7	17,5	15	BP2ST06	26	18	32	25	No Skive	22,8	SMCAIPNP06A		
08	1/2"	13	12,9	20,8	18,3	BP2ST08	30	22	34,5	27	No Skive	26	SMCAIPNP08A		
10	5/8"	16	16,1	23,8	21,4	BP2ST10	34	25,5	37	30	No Skive	30,1	SMCAIPNP10A		
12	3/4"	19	19,4	31,1	27,9	BP2ST12	38	29	43	36	No Skive	33,5	SMCAIPNP12A		
16	1"	25	25,8	39,2	34,8	BP2ST16	46	36,6	50	40	No Skive	41,3	SMCAIPNP16A		
20															
24															
32															



"BP" ferrules use only "IP" inserts.

WARNING:

- OLMARK Company reserves the rights to introduce improving modifications whenever necessary.
- In case of "NO-SKIVE" ferrule crimping, the tail bore collapse value may not respond to what indicated in the table.
- The listed crimping datas have been developed in the OLMARK R&D laboratories and refer to tests carried out on rubber and thermoplastic MARKHIP hoses. Such values are anyway to be considered advisory and not binding for OLMARK cause the impossibility to consider technical variability that only the a skilled coupler can recognize.
- For new applications and different hose brand/sources, modification and technical support, please to contact our technical dpt.

*** SMASS**

For a correct use, please read the indicated characteristics on the suitable document in "download" section.

TFR9R

Hydraulic Connexion


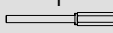
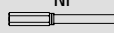
HOSE CRIMPING TABLE

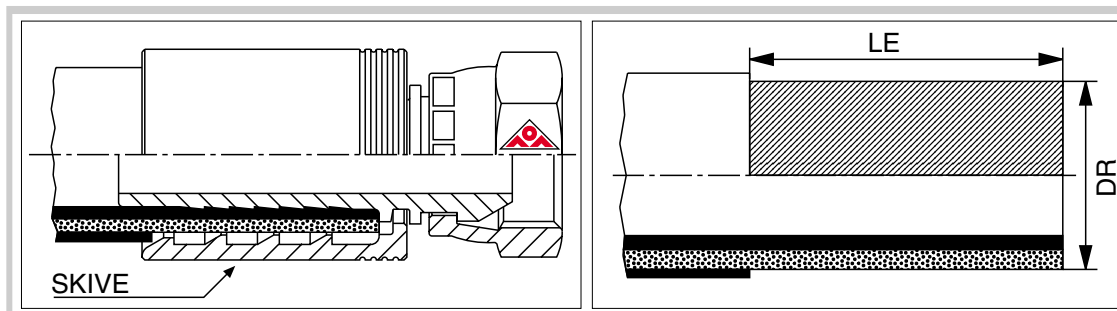


TFR9R

Exceeds requirement of DIN 20023 - 4SP EN 856 4SP



HOSE SIZE			MARKHIP HOSE I. D.	MARKHIP HOSE O. D.	MARKHIP HOSE REINF.	OLMARK FERRULE	OLMARK FERRULE O. D.	OLMARK FERRULE I. D.	OLMARK FERRULE LENGHT	EXTERNAL SKIVING LENGHT	INTERNAL SKIVING LENGHT	Ø CRIMPED FERRULE	* TAIL BORE COLLAPSE SMASS GAUGE			
SIZE	Inch	DIN (mm)	mm	mm	mm	COD.	mm	mm	mm	LE mm (+0,4/-0,2)	LI mm (+0,4/-0,2)	mm (+0/-0,2)				
03																
04	1/4"	6,5	6,7	17,9	14,7	BPR9R04	22	15	32,5	25	No Skive	19,5	SMCAIPNP04A			
05																
06	3/8"	9,5	9,7	21	17,3	BPR9R06	26	18,5	38	32	No Skive	22,5	SMCAIPNP06A			
08	1/2"	13	13,3	24,2	20,5	BPR9R08	30	22	41	32	No Skive	25,8	SMCAIPNP08A			
10	5/8"	16	16,3	27,9	23,9	BPR9R10	34	25,5	44	36	No Skive	30,3	SMCAIPNP10A			
12	3/4"	19	19,4	31,7	28,3	BPR9R12	38	29,5	47,8	41	No Skive	34,5	SMCAIPNP12A			
16	1"	25	25,6	39	35,4	BPR9R16	46	36,5	60	49	No Skive	42,3	SMCAIPNP16A			
20	1 1/4"	32	32,4	47,6	43,3	BPR9R20	56	46,8	66	56	No Skive	50,5		SMCAIP20A	SMCAINP20A	
24	1 1/2"	38	38,5	53,5	49,6	BPR9R24	65	53,8	76	64	No Skive	57		SMCAIP24A	SMCAINP24A	
32	2"	51	51,6	66,8	63,2	BPR9R32	80	66,5	85	71	No Skive	73,2		SMCAIP32A	SMCAINP32A	



"BP" ferrules use only "IP" inserts.

WARNING:

- OLMARK Company reserves the rights to introduce improving modifications whenever necessary.
- In case of "NO-SKIVE" ferrule crimping, the tail bore collapse value may not respond to what indicated in the table.
- The listed crimping datas have been developed in the OLMARK R&D laboratories and refer to tests carried out on rubber and thermoplastic MARKHIP hoses. Such values are anyway to be considered advisory and not binding for OLMARK cause the impossibility to consider technical variability that only the a skilled coupler can recognize.
- For new applications and different hose brand/sources, modification and technical support, please to contact our technical dpt.

*** SMASS**
For a correct use, please read the indicated characteristics on the suitable document in "download" section.

TFR9R

Hydraulic Connexion


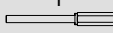
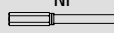
HOSE CRIMPING TABLE

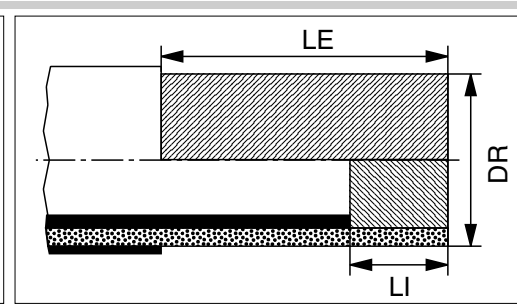
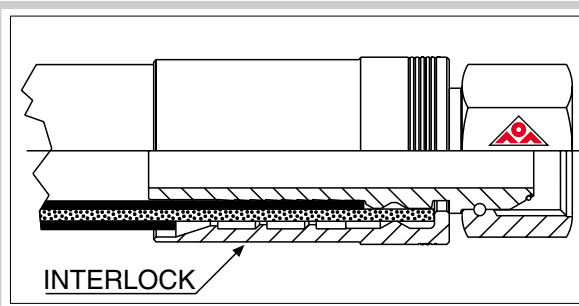


TFR9R INTERLOCK

Exceeds requirement of DIN 20023 - 4SP EN 856 4SP



HOSE SIZE			MARKHIP HOSE I. D.	MARKHIP HOSE O. D.	MARKHIP HOSE REINF.	OLMARK FERRULE	OLMARK FERRULE O. D.	OLMARK FERRULE I. D.	OLMARK FERRULE LENGHT	EXTERNAL SKIVING LENGHT	INTERNAL SKIVING LENGHT	Ø CRIMPED FERRULE	* TAIL BORE COLLAPSE SMASS GAUGE		
SIZE	Inch	DIN (mm)	mm	mm	mm	COD.	mm	mm	mm	LE mm (+0,4/-0,2)	LI mm (+0,4/-0,2)	mm (+0/-0,2)			
03															
04															
05															
06	3/8"	9,5	9,7	21	17,3	BIBAS06				42	13	23,2	SMCAIPNP06A		
08	1/2"	13	13,3	24,2	20,5	BIBAS08				45	13	27	SMCAIPNP08B		
10	5/8"	16	16,3	27,9	23,9	BIBAS10				50	14,5	31	SMCAIPNP10B		
12	3/4"	19	19,4	31,7	28,3	BIBAS12				52	15	33,9	SMCAIPNP12A		
16	1"	25	25,6	39	35,4	BIBAS16				65	17	41,5	SMCAIPNP16B		
20	1 1/4"	32	32,4	47,6	43,3	BIBAS20				74	21,5	51		SMCAIP20A	SMCAIP20A
24	1 1/2"	38	38,5	53,5	49,6	BIBAS24				81	22	57,2		SMCAIP24A	SMCAIP24A
32	2"	51	51,6	66,8	63,2	BIBAS32				85	29	72		SMCAIP32B	SMCAIP32B



"BI" ferrules use only interlock "II" inserts.

WARNING:

- OLMARK Company reserves the rights to introduce improving modifications whenever necessary.
- In case of "NO-SKIVE" ferrule crimping, the tail bore collapse value may not respond to what indicated in the table.
- The listed crimping datas have been developed in the OLMARK R&D laboratories and refer to tests carried out on rubber and thermoplastic MARKHIP hoses. Such values are anyway to be considered advisory and not binding for OLMARK cause the impossibility to consider technical variability that only the a skilled coupler can recognize.
- For new applications and different hose brand/sources, modification and technical support, please to contact our technical dpt.

*** SMASS**
For a correct use, please read the indicated characteristics on the suitable document in "download" section.

TFR12

Hydraulic Connexion




HOSE CRIMPING TABLE

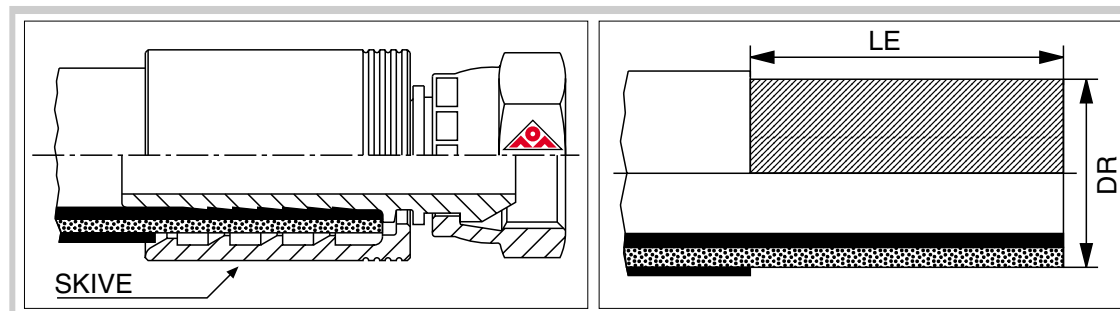


TFR12

Exceeds requirement of EN 856 R12 - SAE J 517 (100 R12)



HOSE SIZE			MARKHIP HOSE I. D.	MARKHIP HOSE O. D.	MARKHIP HOSE REINF.	OLMARK FERRULE	OLMARK FERRULE O. D.	OLMARK FERRULE I. D.	OLMARK FERRULE LENGHT	EXTERNAL SKIVING LENGHT	INTERNAL SKIVING LENGHT	Ø CRIMPED FERRULE	* TAIL BORE COLLAPSE SMASS GAUGE		
SIZE	Inch	DIN (mm)	mm	mm	mm	COD.	mm	mm	mm	LE mm (+0,4/-0,2)	LI mm (+0,4/-0,2)	mm (+0/-0,2)			
03															
04															
05															
06															
08															
10															
12	3/4"	19	18,6	31,3	28,4	BPR9R12	38	29,5	47,8	41	No Skive	34,5	SMCAIPNP12A		
16	1"	25	25	38	35,4	BPR9R16	46	36,5	60	49	No Skive	41,8	SMCAIPNP16A		
20															
24															
32															



"BP" ferrules use only "IP" inserts.

WARNING:

- OLMARK Company reserves the rights to introduce improving modifications whenever necessary.
- In case of "NO-SKIVE" ferrule crimping, the tail bore collapse value may not respond to what indicated in the table.
- The listed crimping datas have been developed in the OLMARK R&D laboratories and refer to tests carried out on rubber and thermoplastic MARKHIP hoses. Such values are anyway to be considered advisory and not binding for OLMARK cause the impossibility to consider technical variability that only the a skilled coupler can recognize.
- For new applications and different hose brand/sources, modification and technical support, please to contact our technical dpt.

*** SMASS**
For a correct use, please read the indicated characteristics on the suitable document in "download" section.

TF4SH

Hydraulic Connexion

HOSE CRIMPING TABLE

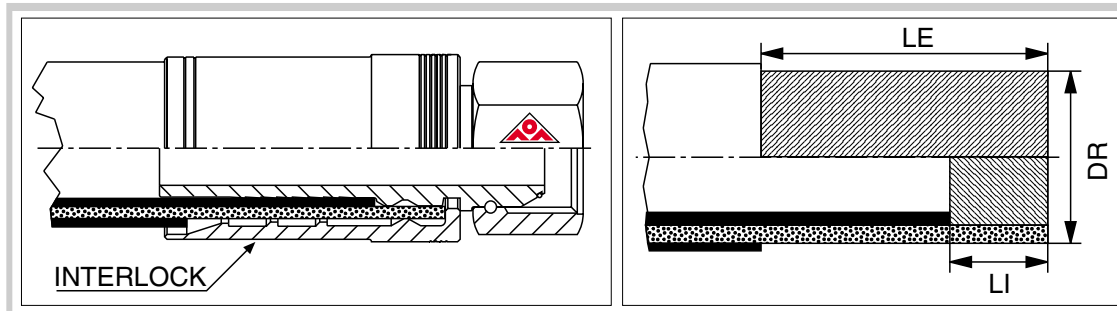


TF4SH INTERLOCK

According to DIN 20023 - 4SH EN 856 4SH



HOSE SIZE			MARKHIP HOSE I. D.	MARKHIP HOSE O. D.	MARKHIP HOSE REINF.	OLMARK FERRULE	OLMARK FERRULE O. D.	OLMARK FERRULE I. D.	OLMARK FERRULE LENGHT	EXTERNAL SKIVING LENGHT	INTERNAL SKIVING LENGHT	Ø CRIMPED FERRULE	P - NP	P	NP	
SIZE	Inch	DIN (mm)	mm	mm	mm	COD.	mm	mm	mm	LE mm (+0,4/-0,2)	LI mm (+0,4/-0,2)	mm (+0/-0,2)				
03																
04																
05																
06																
08																
10																
12	3/4"	19	19,5	32,2	28,3	BIBAS12				52	15	33,9	SMCAIPNP12A			
16	1"	25	25,8	38,3	37,2	BIBAS16				65	17	42,5	SMCAIPNP16B			
20	1 1/4"	32	32,6	45,2	41,5	BIBAS20				74	21,5	50,2		SMCAIP20A	SMCAINP20A	
24	1 1/2"	38	38,6	53,5	49,4	BIBAS24				81	22	57,3		SMCAIP24A	SMCAINP24A	
32	2"	51	51,2	67,6	63,2	BISS432				85	29	74,2		SMCAIP32B	SMCAINP32B	



"BI" ferrules use only interlock "II" inserts.

WARNING:

- OLMARK Company reserves the rights to introduce improving modifications whenever necessary.
- In case of "NO-SKIVE" ferrule crimping, the tail bore collapse value may not respond to what indicated in the table.
- The listed crimping datas have been developed in the OLMARK R&D laboratories and refer to tests carried out on rubber and thermoplastic MARKHIP hoses. Such values are anyway to be considered advisory and not binding for OLMARK cause the impossibility to consider technical variability that only the a skilled coupler can recognize.
- For new applications and different hose brand/sources, modification and technical support, please to contact our technical dpt.

* SMASS

For a correct use, please read the indicated characteristics on the suitable document in "download" section.

TFR13

Hydraulic Connexion

HOSE CRIMPING TABLE

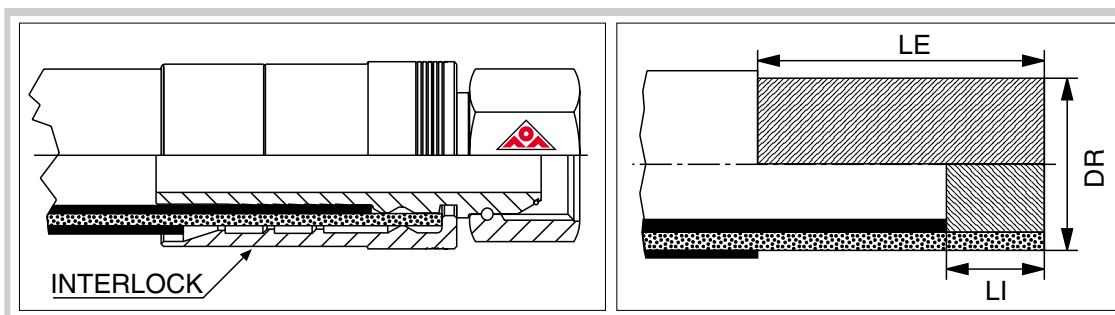


TFR13 INTERLOCK

According to SAE J 517 (R13) EN 856 R13
DN 1/2": exceeds requirement of



HOSE SIZE			MARKHIP HOSE I. D.	MARKHIP HOSE O. D.	MARKHIP HOSE REINF.	OLMARK FERRULE	OLMARK FERRULE O. D.	OLMARK FERRULE I. D.	OLMARK FERRULE LENGHT	EXTERNAL SKIVING LENGHT	INTERNAL SKIVING LENGHT	Ø CRIMPED FERRULE	P - NP	P	NP	
SIZE	Inch	DIN (mm)	mm	mm	mm	COD.	mm	mm	mm	LE mm (+0,4/-0,2)	LI mm (+0,4/-0,2)	mm (+0/-0,2)				
03																
04																
05																
06																
08																
10																
12	3/4"	19	19,6	26,6	29,2	BIBAS12				52	15	33,9	SMCAIPNP12A			
16	1"	25	25,8	39	36	BIBAS16				65	17	42,5	SMCAIPNP16B			
20	1 1/4"	32	32,6	50	46,9	BIRG420				74	21,5	56,1		SMCAIP20A	SMCAINP20A	
24	1 1/2"	38	38,5	57	54,2	BIRG324				81	22	60,8		SMCAIP24A	SMCAINP24A	
32	2"	51	51,5	71,2	68,2	BIRG332				85	29	77,6		SMCAIP32B	SMCAINP32B	



"BI" ferrules use only interlock "II" inserts.

WARNING:

- OLMARK Company reserves the rights to introduce improving modifications whenever necessary.
- In case of "NO-SKIVE" ferrule crimping, the tail bore collapse value may not respond to what indicated in the table.
- The listed crimping datas have been developed in the OLMARK R&D laboratories and refer to tests carried out on rubber and thermoplastic MARKHIP hoses. Such values are anyway to be considered advisory and not binding for OLMARK cause the impossibility to consider technical variability that only the a skilled coupler can recognize.
- For new applications and different hose brand/sources, modification and technical support, please to contact our technical dpt.

*** SMASS**
For a correct use, please read the indicated characteristics on the suitable document in "download" section.

TFSS4

Hydraulic Connexion




HOSE CRIMPING TABLE

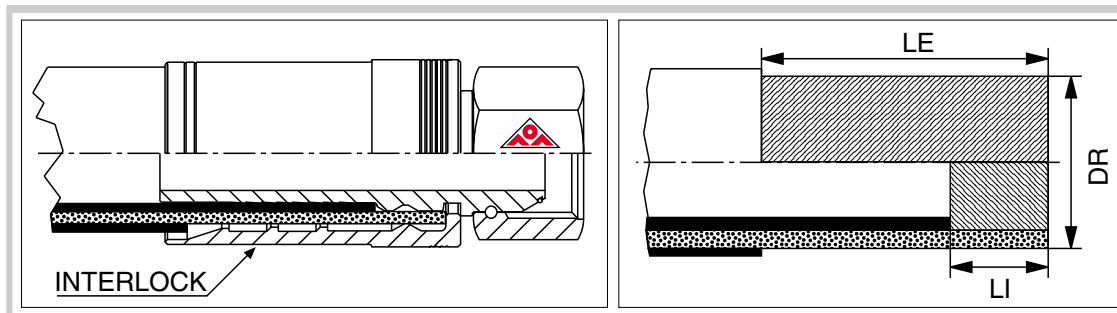


TFSS4 INTERLOCK

Exceeds requirement of DIN 20023 - 4SH EN 856 4SH



HOSE SIZE			MARKHIP HOSE I. D.	MARKHIP HOSE O. D.	MARKHIP HOSE REINF.	OLMARK FERRULE	OLMARK FERRULE O. D.	OLMARK FERRULE I. D.	OLMARK FERRULE LENGHT	EXTERNAL SKIVING LENGHT	INTERNAL SKIVING LENGHT	Ø CRIMPED FERRULE	* TAIL BORE COLLAPSE SMASS GAUGE		
SIZE	Inch	DIN (mm)	mm	mm	mm	COD.	mm	mm	mm	LE mm (+0,4/-0,2)	LI mm (+0,4/-0,2)	mm (+0/-0,2)			
03															
04															
05															
06															
08															
10															
12	3/4"	19	19,3	31,8	28,4	BIBAS12				52	15	33,9	SMCAIPNP12A		
16	1"	25	25,6	38,1	35,1	BIBAS16				65	17	42,5	SMCAIPNP16B		
20	1 1/4"	32	32,6	45,3	42,7	BIBAS20				74	21,5	50,2		SMCAIP20A	SMCAIPNP20A
24	1 1/2"	38	38,5	53,5	49,5	BIBAS24				81	22	57,3		SMCAIP24A	SMCAIPNP24A
32	2"	51	51,4	67,8	63,6	BISS432				85	29	74,2		SMCAIP32B	SMCAIPNP32B



"BI" ferrules use only interlock "II" inserts.

WARNING:

- OLMARK Company reserves the rights to introduce improving modifications whenever necessary.
- In case of "NO-SKIVE" ferrule crimping, the tail bore collapse value may not respond to what indicated in the table.
- The listed crimping datas have been developed in the OLMARK R&D laboratories and refer to tests carried out on rubber and thermoplastic MARKHIP hoses. Such values are anyway to be considered advisory and not binding for OLMARK cause the impossibility to consider technical variability that only the a skilled coupler can recognize.
- For new applications and different hose brand/sources, modification and technical support, please to contact our technical dpt.

*** SMASS**
For a correct use, please read the indicated characteristics on the suitable document in "download" section.

TFRG3

Hydraulic Connexion




HOSE CRIMPING TABLE

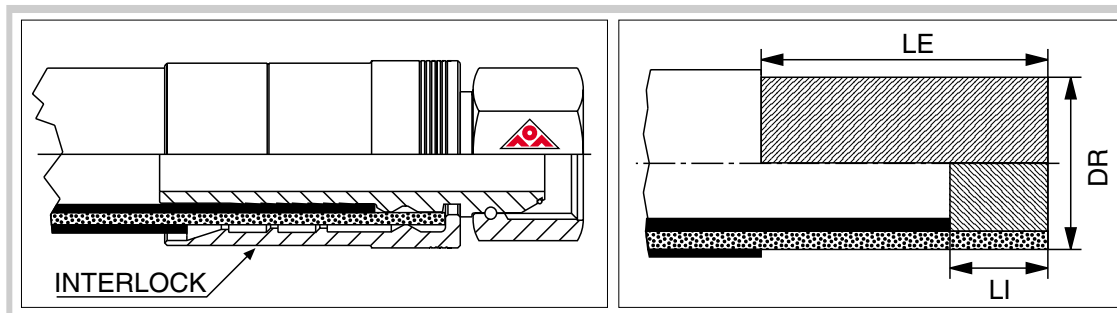


TFRG3 INTERLOCK

According to SAE J 517 (100 R13) EN 856 R13



HOSE SIZE			MARKHIP HOSE I. D.	MARKHIP HOSE O. D.	MARKHIP HOSE REINF.	OLMARK FERRULE	OLMARK FERRULE O. D.	OLMARK FERRULE I. D.	OLMARK FERRULE LENGHT	EXTERNAL SKIVING LENGHT	INTERNAL SKIVING LENGHT	Ø CRIMPED FERRULE	* TAIL BORE COLLAPSE SMASS GAUGE		
SIZE	Inch	DIN (mm)	mm	mm	mm	COD.	mm	mm	mm	LE mm (+0,4/-0,2)	LI mm (+0,4/-0,2)	mm (+0/-0,2)			
03															
04															
05															
06															
08															
10															
12	3/4"	19	19,2	31,6	28,3	BIBAS12				52	15	33,9	SMCAIPNP12A		
16	1"	25	25,7	38,6	35,6	BIBAS16				65	17	42,5	SMCAIPNP16B		
20	1 1/4"	32	32,2	44,6	41,9	BIBAS20				74	21,5	50,2		SMCAIP20A	SMCAIP20A
24	1 1/2"	38	38,5	56,5	54,3	BIRG324				81	22	60,8		SMCAIP24A	SMCAIP24A
32	2"	51	51,2	70,6	68,1	BIRG332				85	29	77,6		SMCAIP32B	SMCAIP32B



"BI" ferrules use only interlock "II" inserts.

WARNING:
 - OLMARK Company reserves the rights to introduce improving modifications whenever necessary.
 - In case of "NO-SKIVE" ferrule crimping, the tail bore collapse value may not respond to what indicated in the table.
 - The listed crimping datas have been developed in the OLMARK R&D laboratories and refer to tests carried out on rubber and thermoplastic MARKHIP hoses. Such values are anyway to be considered advisory and not binding for OLMARK cause the impossibility to consider technical variability that only the a skilled coupler can recognize.
 - For new applications and different hose brand/sources, modification and technical support, please to contact our technical dpt.

*** SMASS**
 For a correct use, please read the indicated characteristics on the suitable document in "download" section.

TFRG4

Hydraulic Connexion


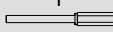
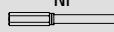
HOSE CRIMPING TABLE

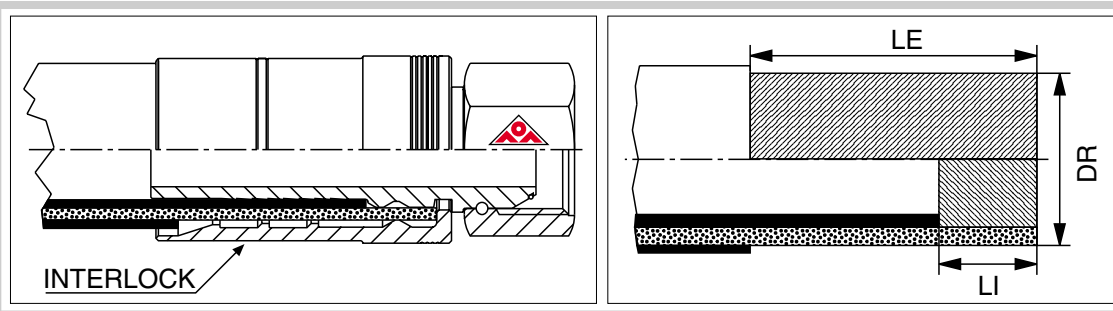


TFRG4 INTERLOCK

Exceeds requirement of SAE J 517 (100 R15)



HOSE SIZE			MARKHIP HOSE I. D.	MARKHIP HOSE O. D.	MARKHIP HOSE REINF.	OLMARK FERRULE	OLMARK FERRULE O. D.	OLMARK FERRULE I. D.	OLMARK FERRULE LENGHT	EXTERNAL SKIVING LENGHT	INTERNAL SKIVING LENGHT	Ø CRIMPED FERRULE	* TAIL BORE COLLAPSE SMASS GAUGE		
SIZE	Inch	DIN (mm)	mm	mm	mm	COD.	mm	mm	mm	LE mm (+0,4/-0,2)	LI mm (+0,4/-0,2)	mm (+0/-0,2)			
03															
04															
05															
06															
08															
10															
12	3/4"	19	19,2	31,6	28,1	BIBAS12				52	15	33,9	SMCAIPNP12A		
16	1"	25	25,7	38,7	35,7	BIBAS16				65	17	42,5	SMCAIPNP16B		
20	1 1/4"	32	32,2	51,5	48	BIRG420				74	21,5	56,1		SMCAIP20A	SMCAINP20A
24	1 1/2"	38	38,7	57,3	54,4	BIRG424				81	22	63,8		SMCAIP24A	SMCAINP24A
32	2"	51	51,2	71,5		BIRG432				85	29	80,6		SMCAIP32B	SMCAINP32B



"BI" ferrules use only interlock "II" inserts.

WARNING:

- OLMARK Company reserves the rights to introduce improving modifications whenever necessary.
- In case of "NO-SKIVE" ferrule crimping, the tail bore collapse value may not respond to what indicated in the table.
- The listed crimping datas have been developed in the OLMARK R&D laboratories and refer to tests carried out on rubber and thermoplastic MARKHIP hoses. Such values are anyway to be considered advisory and not binding for OLMARK cause the impossibility to consider technical variability that only the a skilled coupler can recognize.
- For new applications and different hose brand/sources, modification and technical support, please to contact our technical dpt.

*** SMASS**
For a correct use, please read the indicated characteristics on the suitable document in "download" section.



TF312

Hydraulic Connexion

HOSE CRIMPING TABLE

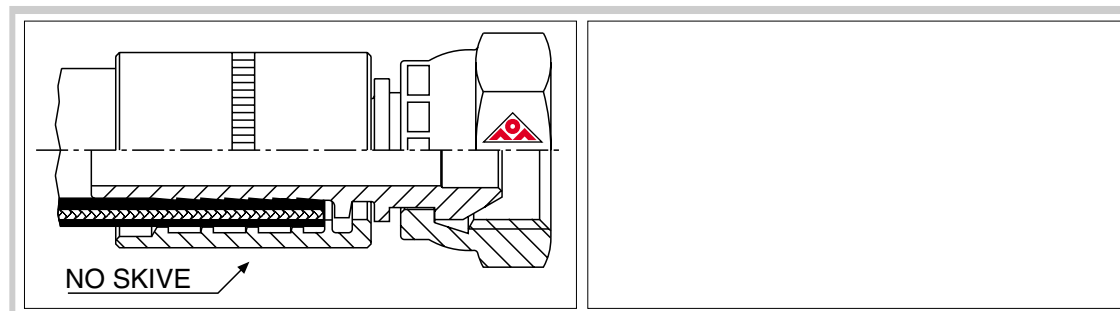


TF312

According to SAE 100 R14



HOSE SIZE			MARKHIP HOSE I. D.	MARKHIP HOSE O. D.	MARKHIP HOSE REINF.	OLMARK FERRULE	OLMARK FERRULE O. D.	OLMARK FERRULE I. D.	OLMARK FERRULE LENGHT	EXTERNAL SKIVING LENGHT	INTERNAL SKIVING LENGHT	Ø CRIMPED FERRULE	* TAIL BORE COLLAPSE SMASS GAUGE		
SIZE	Inch	DIN (mm)	mm	mm	mm	COD.	mm	mm	mm	LE mm (+0,4/-0,2)	LI mm (+0,4/-0,2)	mm (+0/-0,2)	P - NP	P	NP
03	3/16"	5		7,6		BPR7-03	13	9,9	27	No Skive	No Skive	10,3	SMCAIPNP03A		
04	1/4"	6,5		9,1		BPR7-04	17	13,5	29	No Skive	No Skive	12,5	SMCAIPNP04A		
05	5/16"	8		10,9		BPR7-05	19	14,5	30	No Skive	No Skive	15,5	SMCAIPNP05A		
06	3/8"	9,5		12,7		BPR7-06	21,5	17	31	No Skive	No Skive	17	SMCAIPNP06A		
08	1/2"	13		15,6		BPR7-08	26	20,5	34	No Skive	No Skive	21	SMCAIPNP08A		
10	5/8"	16		19,9		BPR7-10	29	24,5	40	No Skive	No Skive	23	SMCAIPNP10A		
12	3/4"	19		22,3		BPR7-12	32	27,5	42	No Skive	No Skive	26,2	SMCAIPNP12A		
16	1"	25		28,8		BPR7-16	40	34,5	50	No Skive	No Skive	35,3	SMCAIPNP16A		
20															
24															
32															



"BP" ferrules use only "IP" inserts.

WARNING:

- OLMARK Company reserves the rights to introduce improving modifications whenever necessary.
- In case of "NO-SKIVE" ferrule crimping, the tail bore collapse value may not respond to what indicated in the table.
- The listed crimping datas have been developed in the OLMARK R&D laboratories and refer to tests carried out on rubber and thermoplastic MARKHIP hoses. Such values are anyway to be considered advisory and not binding for OLMARK cause the impossibility to consider technical variability that only the a skilled coupler can recognize.
- For new applications and different hose brand/sources, modification and technical support, please to contact our technical dpt.

*** SMASS**
For a correct use, please read the indicated characteristics on the suitable document in "download" section.

TFR5

Hydraulic Connexion




HOSE CRIMPING TABLE

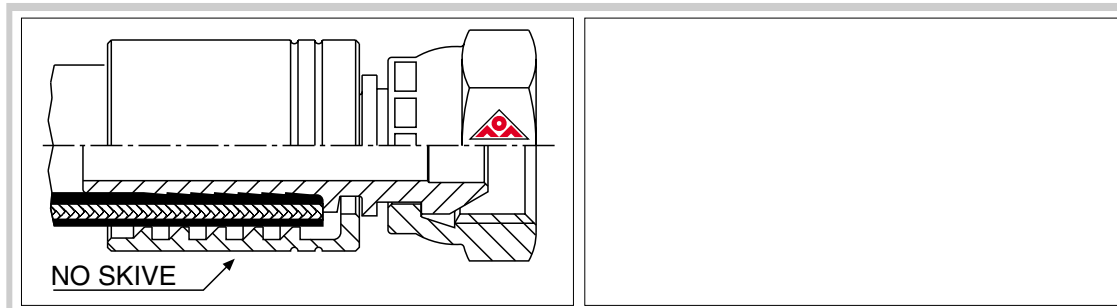


TFR5

According to SAE J 517 (100 R5)



HOSE SIZE			MARKHIP HOSE I. D.	MARKHIP HOSE O. D.	MARKHIP HOSE REINF.	OLMARK FERRULE	OLMARK FERRULE O. D.	OLMARK FERRULE I. D.	OLMARK FERRULE LENGHT	EXTERNAL SKIVING LENGHT	INTERNAL SKIVING LENGHT	Ø CRIMPED FERRULE	* TAIL BORE COLLAPSE SMASS GAUGE		
SIZE	Inch	DIN (mm)	mm	mm	mm	COD.	mm	mm	mm	LE mm (+0,4/-0,2)	LI mm (+0,4/-0,2)	mm (+0/-0,2)			
03	3/16"	5	5,2	13,2		BP2SN03	20	14,2	27	No Skive	No Skive	15,3	SMCAIPNP03A		
04	1/4"	6,5	6,6	15,2		BP2SN04	22	15,8	30	No Skive	No Skive	17,5	SMCAIPNP04A		
05	5/16"	8	8,2	17,2		BP2SN05	24	17,5	30	No Skive	No Skive	19,6	SMCAIPNP05A		
06															
08															
10															
12															
16															
20															
24															
32															



"BP" ferrules use only "IP" inserts.

WARNING:

- OLMARK Company reserves the rights to introduce improving modifications whenever necessary.
- In case of "NO-SKIVE" ferrule crimping, the tail bore collapse value may not respond to what indicated in the table.
- The listed crimping datas have been developed in the OLMARK R&D laboratories and refer to tests carried out on rubber and thermoplastic MARKHIP hoses. Such values are anyway to be considered advisory and not binding for OLMARK cause the impossibility to consider technical variability that only the a skilled coupler can recognize.
- For new applications and different hose brand/sources, modification and technical support, please to contact our technical dpt.

*** SMASS**
For a correct use, please read the indicated characteristics on the suitable document in "download" section.

TFH2B

Hydraulic Connexion

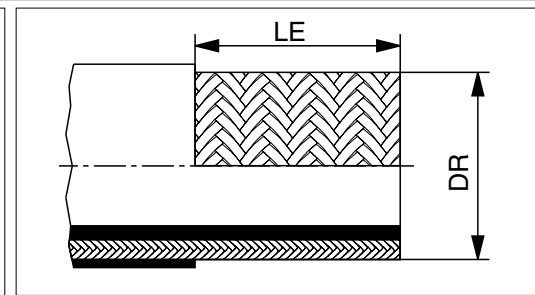
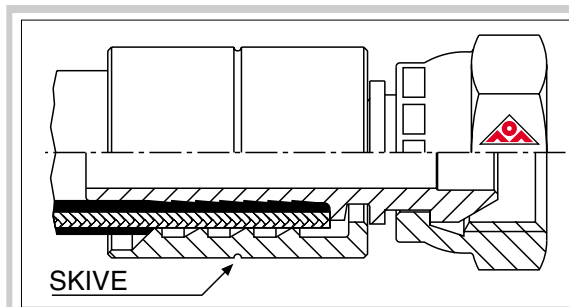
HOSE CRIMPING TABLE



TFH2B/N POWER WASH



HOSE SIZE			MARKHIP HOSE I. D.	MARKHIP HOSE O. D.	MARKHIP HOSE REINF.	OLMARK FERRULE	OLMARK FERRULE O. D.	OLMARK FERRULE I. D.	OLMARK FERRULE LENGHT	EXTERNAL SKIVING LENGHT	INTERNAL SKIVING LENGHT	Ø CRIMPED FERRULE	* TAIL BORE COLLAPSE SMASS GAUGE			
SIZE	Inch	DIN (mm)	mm	mm	mm	COD.	mm	mm	mm	LE mm (+0,4/-0,2)	LI mm (+0,4/-0,2)	mm (+0/-0,2)				
03																
04	1/4"	6,5	6,7	15,6	11,1	BP1ST04	20	13,2	30	23	No Skive	17	SMCAIPNP04A			
05	5/16"	8	8,2	17,5	12,7	BP1ST05	22	14,5	30	23	No Skive	19	SMCAIPNP05A			
06	3/8"	9,5	9,8	19,5	15	BP1ST06	24	16,6	31	24	No Skive	21	SMCAIPNP06A			
08	1/2"	13	13,3	23	18,3	BP1ST08	28	20	34,5	27	No Skive	24,9	SMCAIPNP08A			
10																
12																
16																
20																
24																
32																



"BP" ferrules use only "IP" inserts.

WARNING:

- OLMARK Company reserves the rights to introduce improving modifications whenever necessary.
- In case of "NO-SKIVE" ferrule crimping, the tail bore collapse value may not respond to what indicated in the table.
- The listed crimping datas have been developed in the OLMARK R&D laboratories and refer to tests carried out on rubber and thermoplastic MARKHIP hoses. Such values are anyway to be considered advisory and not binding for OLMARK cause the impossibility to consider technical variability that only the a skilled coupler can recognize.
- For new applications and different hose brand/sources, modification and technical support, please to contact our technical dpt.

* SMASS

For a correct use, please read the indicated characteristics on the suitable document in "download" section.

TFH4B




Hydraulic Connexion

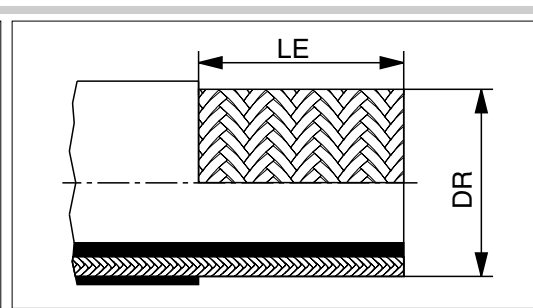
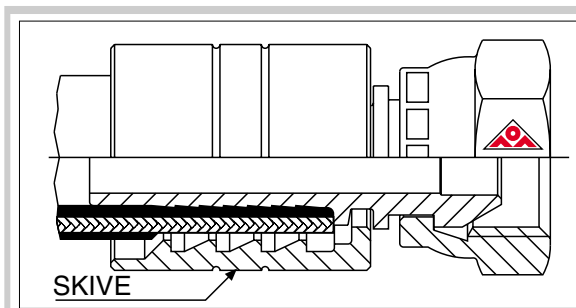
HOSE CRIMPING TABLE



TFH4B/N POWER WASH



HOSE SIZE			MARKHIP HOSE I. D.	MARKHIP HOSE O. D.	MARKHIP HOSE REINF.	OLMARK FERRULE	OLMARK FERRULE O. D.	OLMARK FERRULE I. D.	OLMARK FERRULE LENGHT	EXTERNAL SKIVING LENGHT	INTERNAL SKIVING LENGHT	Ø CRIMPED FERRULE	* TAIL BORE COLLAPSE SMASS GAUGE			
SIZE	Inch	DIN (mm)	mm	mm	mm	COD.	mm	mm	mm	LE mm (+0,4/-0,2)	LI mm (+0,4/-0,2)	mm (+0/-0,2)				
03																
04																
05	5/16"	8	8,2	16,8	14,3	BP2ST05	24	16,5	31	24	No Skive	20,4	SMCAIPNP05A			
06	3/8"	9,5	9,7	19	17	BP2ST06	26	18	32	25	No Skive	22,8	SMCAIPNP06A			
08	1/2"	13	12,9	22	19,8	BP2ST08	30	22	34,5	27	No Skive	26	SMCAIPNP08A			
10																
12																
16																
20																
24																
32																



"BP" ferrules use only "IP" inserts.

WARNING:

- OLMARK Company reserves the rights to introduce improving modifications whenever necessary.
- In case of "NO-SKIVE" ferrule crimping, the tail bore collapse value may not respond to what indicated in the table.
- The listed crimping datas have been developed in the OLMARK R&D laboratories and refer to tests carried out on rubber and thermoplastic MARKHIP hoses. Such values are anyway to be considered advisory and not binding for OLMARK cause the impossibility to consider technical variability that only the a skilled coupler can recognize.
- For new applications and different hose brand/sources, modification and technical support, please to contact our technical dpt.

*** SMASS**
For a correct use, please read the indicated characteristics on the suitable document in "download" section.

TFR4

Hydraulic Connexion




HOSE CRIMPING TABLE

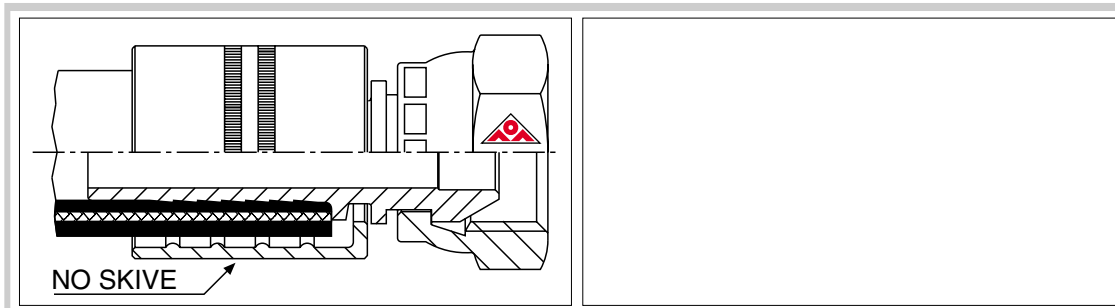


TFR4

According to SAE J 517 (100 R4) EN 854 R4



HOSE SIZE			MARKHIP HOSE I. D.	MARKHIP HOSE O. D.	MARKHIP HOSE REINF.	OLMARK FERRULE	OLMARK FERRULE O. D.	OLMARK FERRULE I. D.	OLMARK FERRULE LENGHT	EXTERNAL SKIVING LENGHT	INTERNAL SKIVING LENGHT	Ø CRIMPED FERRULE	* TAIL BORE COLLAPSE SMASS GAUGE		
SIZE	Inch	DIN (mm)	mm	mm	mm	COD.	mm	mm	mm	LE mm (+0,4/-0,2)	LI mm (+0,4/-0,2)	mm (+0/-0,2)			
03															
04															
05															
06															
08															
10															
12	3/4"	19	19,2	30		BPR4-12	38	32,5	42	No Skive	No Skive	34,5			
16	1"	25	25,5	37		BPR4-16	46	39,5	50	No Skive	No Skive	41,5			
20	1 1/4"	32	32,4	43,6		BPR4-20	54	47	58	No Skive	No Skive	49,5			
24	1 1/2"	38	38,8	49,4		BPR4-24	61	54	63	No Skive	No Skive	55			
32	2"	51	51,8	65,5		BPR4-32	76	69	78	No Skive	No Skive	70			



"BP" ferrules use only "IP" inserts.

WARNING:

- OLMARK Company reserves the rights to introduce improving modifications whenever necessary.
- In case of "NO-SKIVE" ferrule crimping, the tail bore collapse value may not respond to what indicated in the table.
- The listed crimping datas have been developed in the OLMARK R&D laboratories and refer to tests carried out on rubber and thermoplastic MARKHIP hoses. Such values are anyway to be considered advisory and not binding for OLMARK cause the impossibility to consider technical variability that only the a skilled coupler can recognize.
- For new applications and different hose brand/sources, modification and technical support, please to contact our technical dpt.

*** SMASS**

For a correct use, please read the indicated characteristics on the suitable document in "download" section.

TFR7

Hydraulic Connexion

HOSE CRIMPING TABLE

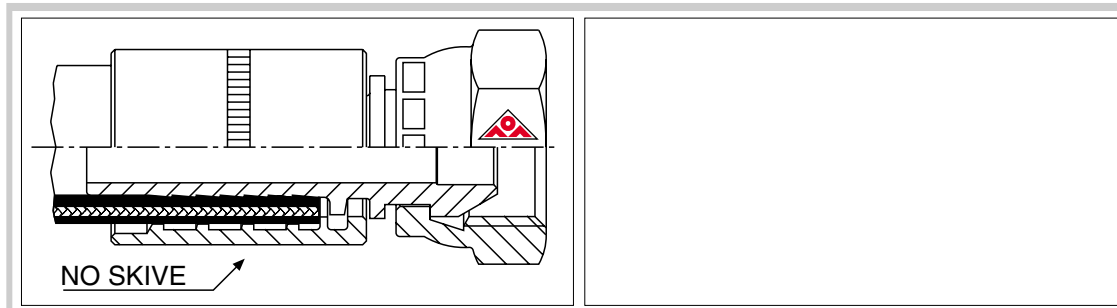


TFR7

According to SAE J 517 (100 R7) EN 855 ISO 3949



HOSE SIZE			MARKHIP HOSE I. D.	MARKHIP HOSE O. D.	MARKHIP HOSE REINF.	OLMARK FERRULE	OLMARK FERRULE O. D.	OLMARK FERRULE I. D.	OLMARK FERRULE LENGHT	EXTERNAL SKIVING LENGHT	INTERNAL SKIVING LENGHT	Ø CRIMPED FERRULE	* TAIL BORE COLLAPSE SMASS GAUGE		
SIZE	Inch	DIN (mm)	mm	mm	mm	COD.	mm	mm	mm	LE mm (+0,4/-0,2)	LI mm (+0,4/-0,2)	mm (+0/-0,2)	P - NP	P	NP
02	1/8"	4,0	4,0	8,3		BPR7-02	12	9,0	20	No Skive	No Skive	9,8	-		
03	3/16"	5,0	5,0	9,6		BPR7-03	13	9,9	27	No Skive	No Skive	11,2	SMCAIPNP03A		
04	1/4"	6,5	6,5	12,2		BPR7-04	17	13,5	29	No Skive	No Skive	14,1	SMCAIPNP04A		
05	5/16"	8,0	8,1	14,4		BPR7-05	19	14,5	30	No Skive	No Skive	16,7	SMCAIPNP05A		
06	3/8"	9,5	9,7	15,9		BPR7-06	21,5	17	31	No Skive	No Skive	18,9	SMCAIPNP06A		
08	1/2"	13	13,0	20,3		BPR7-08	26	20,5	34	No Skive	No Skive	23,5	SMCAIPNP08A		
10	5/8"	16	16,3	23,7		BPR7-10	29	24,5	40	No Skive	No Skive	26,3	SMCAIPNP10A		
12	3/4"	19	19,5	27,1		BPR7-12	32	27,5	42	No Skive	No Skive	29,5	SMCAIPNP12A		
16	1"	25	25,9	34		BPR7-16	40	34,5	50	No Skive	No Skive	37,3	SMCAIPNP16A		
20															
24															
32															



"BP" ferrules use only "IP" inserts.

WARNING:

- OLMARK Company reserves the rights to introduce improving modifications whenever necessary.
- In case of "NO-SKIVE" ferrule crimping, the tail bore collapse value may not respond to what indicated in the table.
- The listed crimping datas have been developed in the OLMARK R&D laboratories and refer to tests carried out on rubber and thermoplastic MARKHIP hoses. Such values are anyway to be considered advisory and not binding for OLMARK cause the impossibility to consider technical variability that only the a skilled coupler can recognize.
- For new applications and different hose brand/sources, modification and technical support, please to contact our technical dpt.

*** SMASS**

For a correct use, please read the indicated characteristics on the suitable document in "download" section.

TFR7T

Hydraulic Connexion

HOSE CRIMPING TABLE

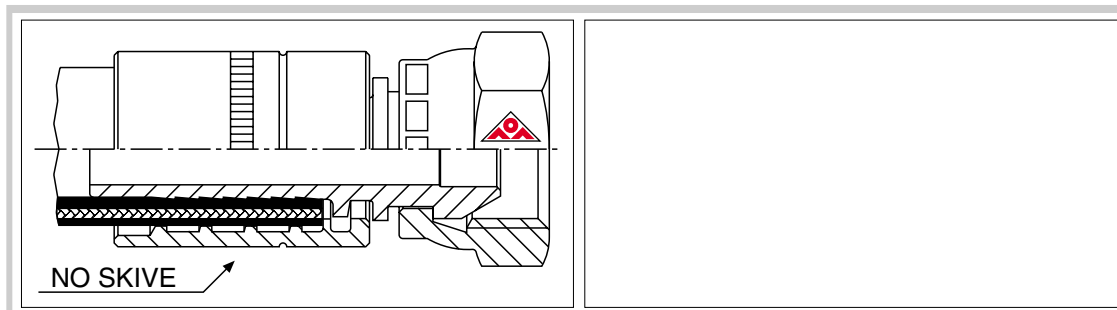


TFR7T

According to SAE J 517 (100 R7T) EN 855 ISO 3949



HOSE SIZE			MARKHIP HOSE I. D.	MARKHIP HOSE O. D.	MARKHIP HOSE REINF.	OLMARK FERRULE	OLMARK FERRULE O. D.	OLMARK FERRULE I. D.	OLMARK FERRULE LENGHT	EXTERNAL SKIVING LENGHT	INTERNAL SKIVING LENGHT	Ø CRIMPED FERRULE	* TAIL BORE COLLAPSE SMASS GAUGE		
SIZE	Inch	DIN (mm)	mm	mm	mm	COD.	mm	mm	mm	LE mm (+0,4/-0,2)	LI mm (+0,4/-0,2)	mm (+0/-0,2)	P - NP	P	NP
03	3/16"	5	5,0	9,4		BPR7T03	15	11,5	27	No Skive	No Skive	12	SMCAIPNP03A		
04	1/4"	6,5	6,4	11,7		BPR7-04	17	13,5	29	No Skive	No Skive	14,1	SMCAIPNP04A		
05	5/16"	8	8,0	13,4		BPT1605	22	16	30	No Skive	No Skive	18	SMCAIPNP05A		
06	3/8"	9,5	9,8	15,9		BPT1806	23	18,5	33	No Skive	No Skive	18,9	SMCAIPNP06A		
08	1/2"	13	13,0	18,4		BPR7-08	26	20,5	34	No Skive	No Skive	22,5	SMCAIPNP08A		
10	5/8"	16	16,3	21,7		BPR7-10	29	24,5	40	No Skive	No Skive	25,1	SMCAIPNP10A		
12	3/4"	19	19,5	25,7		BPR7-12	32	27,5	42	No Skive	No Skive	29	SMCAIPNP12A		
16	1"	25	25,8	33,0		BPR7-16	40	34,5	50	No Skive	No Skive		SMCAIPNP16A		



"BP" ferrules use only "IP" inserts.

WARNING:

- OLMARK Company reserves the rights to introduce improving modifications whenever necessary.
- In case of "NO-SKIVE" ferrule crimping, the tail bore collapse value may not respond to what indicated in the table.
- The listed crimping datas have been developed in the OLMARK R&D laboratories and refer to tests carried out on rubber and thermoplastic MARKHIP hoses. Such values are anyway to be considered advisory and not binding for OLMARK cause the impossibility to consider technical variability that only the a skilled coupler can recognize.
- For new applications and different hose brand/sources, modification and technical support, please to contact our technical dpt.

*** SMASS**
For a correct use, please read the indicated characteristics on the suitable document in "download" section.

TFR7T

Hydraulic Connexion

HOSE CRIMPING TABLE

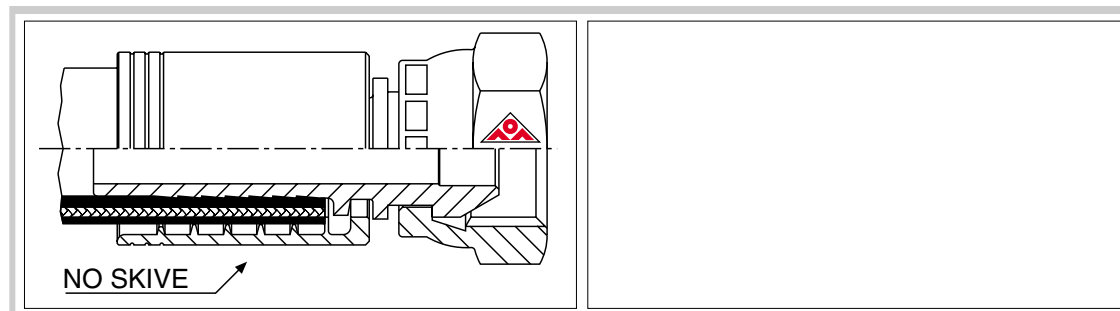


TFR7T

According to SAE J 517 (100 R7T) EN 855 ISO 3949



HOSE SIZE			MARKHIP HOSE I. D.	MARKHIP HOSE O. D.	MARKHIP HOSE REINF.	OLMARK FERRULE	OLMARK FERRULE O. D.	OLMARK FERRULE I. D.	OLMARK FERRULE LENGHT	EXTERNAL SKIVING LENGHT	INTERNAL SKIVING LENGHT	Ø CRIMPED FERRULE	* TAIL BORE COLLAPSE SMASS GAUGE		
SIZE	Inch	DIN (mm)	mm	mm	mm	COD.	mm	mm	mm	LE mm (+0,4/-0,2)	LI mm (+0,4/-0,2)	mm (+0/-0,2)	P - NP	P	NP
03	3/16"	5	5,0	9,4		BPDL203	15	11,5	25	No Skive	No Skive	11,5	SMCAIPNP03A		
04	1/4"	6,5	6,4	11,7		BPDL204	18	13,5	30	No Skive	No Skive	14	SMCAIPNP04A		
05	5/16"	8	8,0	13,4		BPDL205	21	16	30	No Skive	No Skive	16,5	SMCAIPNP05A		
06	3/8"	9,5	9,8	15,9		BPDL206	22	17	31	No Skive	No Skive	18,3	SMCAIPNP06A		
08	1/2"	13	13,0	18,4		BPDL208	26	20,5	34	No Skive	No Skive	22,5	SMCAIPNP08A		
10	5/8"	16	16,3	21,7		BPDL210	30	25,5	40	No Skive	No Skive	25,1	SMCAIPNP10A		
12	3/4"	19	19,5	25,7		BPDL212	33	28,5	42	No Skive	No Skive	29	SMCAIPNP12A		
16	1"	25	25,8	33,0		BPDL216	41	33,5	50	No Skive	No Skive				



"BP" ferrules use only "IP" inserts.

WARNING:

- OLMARK Company reserves the rights to introduce improving modifications whenever necessary.
- In case of "NO-SKIVE" ferrule crimping, the tail bore collapse value may not respond to what indicated in the table.
- The listed crimping datas have been developed in the OLMARK R&D laboratories and refer to tests carried out on rubber and thermoplastic MARKHIP hoses. Such values are anyway to be considered advisory and not binding for OLMARK cause the impossibility to consider technical variability that only the a skilled coupler can recognize.
- For new applications and different hose brand/sources, modification and technical support, please to contact our technical dpt.

*** SMASS**
For a correct use, please read the indicated characteristics on the suitable document in "download" section.

TFR8

Hydraulic Connexion

HOSE CRIMPING TABLE

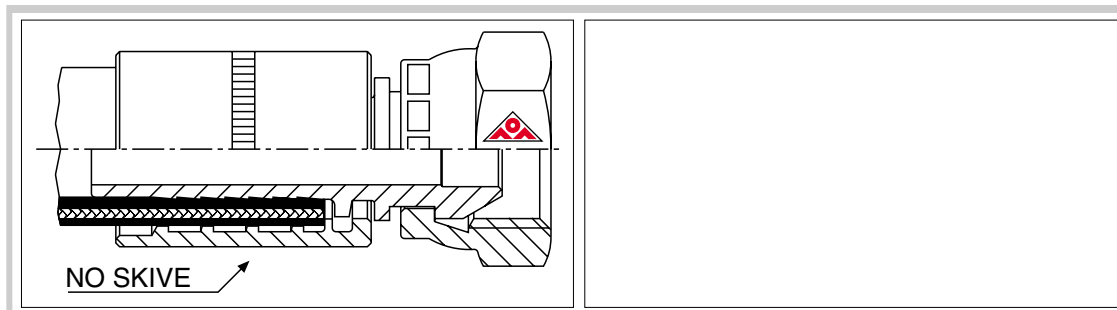


TFR8

According to SAE J 517 (100 R8) EN 855 ISO 3949



HOSE SIZE			MARKHIP HOSE I. D.	MARKHIP HOSE O. D.	MARKHIP HOSE REINF.	OLMARK FERRULE	OLMARK FERRULE O. D.	OLMARK FERRULE I. D.	OLMARK FERRULE LENGHT	EXTERNAL SKIVING LENGHT	INTERNAL SKIVING LENGHT	Ø CRIMPED FERRULE	* TAIL BORE COLLAPSE SMASS GAUGE		
SIZE	Inch	DIN (mm)	mm	mm	mm	COD.	mm	mm	mm	LE mm (+0,4/-0,2)	LI mm (+0,4/-0,2)	mm (+0/-0,2)	P - NP	P	NP
02	1/8"	4,0	4	7,9		BPR7-02	12	9,0	20	No Skive	No Skive	9,7	-		
03	3/16"	5,0	5	8,9		BPR7-03	13	9,9	27	No Skive	No Skive	10,9	SMCAIPNP03A		
04	1/4"	6,5	6,5	11,5		BPR7-04	17	13,5	29	No Skive	No Skive	13,9	SMCAIPNP04A		
05	5/16"	8,0	8,1	13,4		BPR7-05	19	14,5	30	No Skive	No Skive	16	SMCAIPNP05C		
06	3/8"	9,5	9,7	15,5		BPR7-06	21,5	17	31	No Skive	No Skive	18,1	SMCAIPNP06A		
08	1/2"	13	13,1	19,9		BPDL208	26	20,5	34	No Skive	No Skive	22,2	SMCAIPNP08C		
10	5/8"	16	16,3	23,3		BPR7-10	29	24,5	40	No Skive	No Skive				
12	3/4"	19	19,5	26,9		BPR7-12	32	27,5	42	No Skive	No Skive	29,3	SMCAIPNP12A		
16	1"	25	25,9	34,2		BPR7-16	40	34,5	50	No Skive	No Skive	36,9	SMCAIPNP16A		
20	1 1/4"														
24	1 1/2"														
32	2"														



"BP" ferrules use only "IP" inserts.

WARNING:

- OLMARK Company reserves the rights to introduce improving modifications whenever necessary.
- In case of "NO-SKIVE" ferrule crimping, the tail bore collapse value may not respond to what indicated in the table.
- The listed crimping datas have been developed in the OLMARK R&D laboratories and refer to tests carried out on rubber and thermoplastic MARKHIP hoses. Such values are anyway to be considered advisory and not binding for OLMARK cause the impossibility to consider technical variability that only the a skilled coupler can recognize.
- For new applications and different hose brand/sources, modification and technical support, please to contact our technical dpt.

*** SMASS**

For a correct use, please read the indicated characteristics on the suitable document in "download" section.

TFP1

Hydraulic Connexion

HOSE CRIMPING TABLE

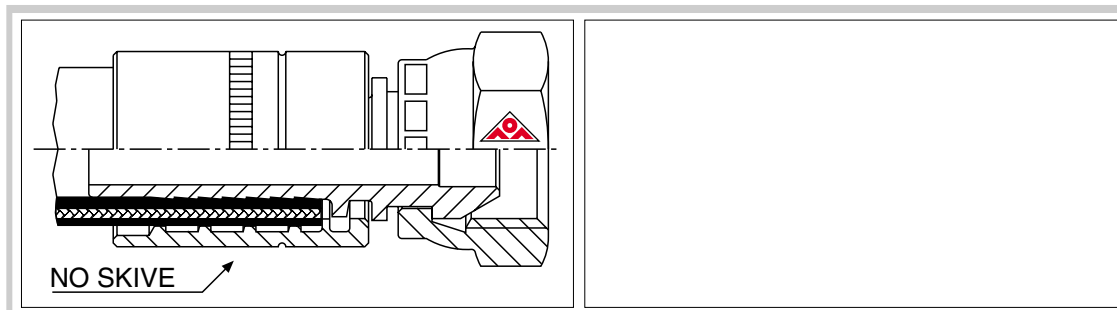


TFP1 / Y / G / A / R / B / V

According to SAE J 517 (100 R7T) EN 855 ISO 3949



HOSE SIZE			MARKHIP HOSE I. D.	MARKHIP HOSE O. D.	MARKHIP HOSE REINF.	OLMARK FERRULE	OLMARK FERRULE O. D.	OLMARK FERRULE I. D.	OLMARK FERRULE LENGHT	EXTERNAL SKIVING LENGHT	INTERNAL SKIVING LENGHT	Ø CRIMPED FERRULE	* TAIL BORE COLLAPSE SMASS GAUGE		
SIZE	Inch	DIN (mm)	mm	mm	mm	COD.	mm	mm	mm	LE mm (+0,4/-0,2)	LI mm (+0,4/-0,2)	mm (+0/-0,2)	P - NP	P	NP
03	3/16"	5	5,0	9,4		BPDL203	15	11,5	25	No Skive	No Skive	11,5	SMCAIPNP03A		
04	1/4"	6,5	6,4	11,7		BPDL204	18	13,5	30	No Skive	No Skive	14,0	SMCAIPNP04A		
05	5/16"	8	8,0	13,4		BPDL205	21	16	31	No Skive	No Skive	16,5	SMCAIPNP05A		
06	3/8"	9,5	9,8	15,9		BPDL206	22	17	34	No Skive	No Skive	18,3	SMCAIPNP06A		
08															
10															
12															
16															
20															
24															
32															



"BP" ferrules use only "IP" inserts.

WARNING:

- OLMARK Company reserves the rights to introduce improving modifications whenever necessary.
- In case of "NO-SKIVE" ferrule crimping, the tail bore collapse value may not respond to what indicated in the table.
- The listed crimping datas have been developed in the OLMARK R&D laboratories and refer to tests carried out on rubber and thermoplastic MARKHIP hoses. Such values are anyway to be considered advisory and not binding for OLMARK cause the impossibility to consider technical variability that only the a skilled coupler can recognize.
- For new applications and different hose brand/sources, modification and technical support, please to contact our technical dpt.

*** SMASS**
For a correct use, please read the indicated characteristics on the suitable document in "download" section.

TFR18

Hydraulic Connexion




HOSE CRIMPING TABLE

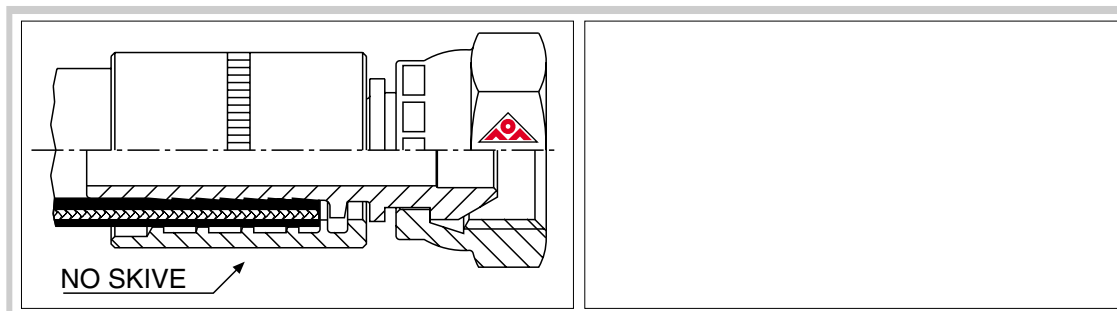


TFR18

Exceeds requirement of SAE J 517 (100 R18)



HOSE SIZE			MARKHIP HOSE I. D.	MARKHIP HOSE O. D.	MARKHIP HOSE REINF.	OLMARK FERRULE	OLMARK FERRULE O. D.	OLMARK FERRULE I. D.	OLMARK FERRULE LENGHT	EXTERNAL SKIVING LENGHT	INTERNAL SKIVING LENGHT	Ø CRIMPED FERRULE	* TAIL BORE COLLAPSE SMASS GAUGE		
SIZE	Inch	DIN (mm)	mm	mm	mm	COD.	mm	mm	mm	LE mm (+0,4/-0,2)	LI mm (+0,4/-0,2)	mm (+0/-0,2)			
03	3/16"	5	5,0	9,6		BPR7-03	13	9,9	27	No Skive	No Skive	11,2	SMCAIPNP03A		
04	1/4"	6,5	6,5	12,2		BPR7-04	17	13,5	29	No Skive	No Skive	14,1	SMCAIPNP04A		
05	5/16"	8	8,1	14,3		BPR7-05	19	14,5	30	No Skive	No Skive	16,7	SMCAIPNP05A		
06	3/8"	9,5	9,7	16,6		BPR7-06	21,5	17	31	No Skive	No Skive	19	SMCAIPNP06A		
08	1/2"	13	13	22,5		BPT2308	28	23,5	35	No Skive	No Skive	24	SMCAIPNP08A		
10															
12															
16															
20															
24															
32															



"BP" ferrules use only "IP" inserts.

WARNING:

- OLMARK Company reserves the rights to introduce improving modifications whenever necessary.
- In case of "NO-SKIVE" ferrule crimping, the tail bore collapse value may not respond to what indicated in the table.
- The listed crimping datas have been developed in the OLMARK R&D laboratories and refer to tests carried out on rubber and thermoplastic MARKHIP hoses. Such values are anyway to be considered advisory and not binding for OLMARK cause the impossibility to consider technical variability that only the a skilled coupler can recognize.
- For new applications and different hose brand/sources, modification and technical support, please to contact our technical dpt.

*** SMASS**
For a correct use, please read the indicated characteristics on the suitable document in "download" section.

TFDCP

Hydraulic Connexion

HOSE CRIMPING TABLE

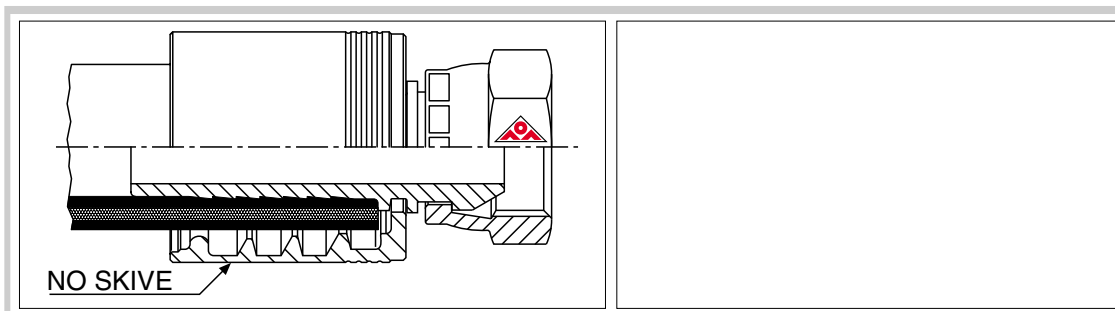


TFDCP NO SKIVE

Exceeds requirement of SAE J 517 (100 R16) EN 857 2SC ISO 11237 type 2



HOSE SIZE			MARKHIP HOSE I. D.	MARKHIP HOSE O. D.	MARKHIP HOSE REINF.	OLMARK FERRULE	OLMARK FERRULE O. D.	OLMARK FERRULE I. D.	OLMARK FERRULE LENGHT	EXTERNAL SKIVING LENGHT	INTERNAL SKIVING LENGHT	Ø CRIMPED FERRULE	* TAIL BORE COLLAPSE SMASS GAUGE		
SIZE	Inch	DIN (mm)	mm	mm	mm	COD.	mm	mm	mm	LE mm (+0,4/-0,2)	LI mm (+0,4/-0,2)	mm (+0/-0,2)			
03															
04															
05															
06															
08															
10															
12	3/4"	19	19,2	29	27	BP03N12	44	33	45	No Skive	No Skive	35,2	SMCAIPNP12B		
16	1"	25	25,2	37,7	25,7	BP03N16	53	42	54	No Skive	No Skive	44,0	SMCAIPNP16C		
20															
24															
32															



"BP" ferrules use only "IP" inserts.

WARNING:

- OLMARK Company reserves the rights to introduce improving modifications whenever necessary.
- In case of "NO-SKIVE" ferrule crimping, the tail bore collapse value may not respond to what indicated in the table.
- The listed crimping datas have been developed in the OLMARK R&D laboratories and refer to tests carried out on rubber and thermoplastic MARKHIP hoses. Such values are anyway to be considered advisory and not binding for OLMARK cause the impossibility to consider technical variability that only the a skilled coupler can recognize.
- For new applications and different hose brand/sources, modification and technical support, please to contact our technical dpt.

*** SMASS**
For a correct use, please read the indicated characteristics on the suitable document in "download" section.

TFPZ3

Hydraulic Connexion




HOSE CRIMPING TABLE

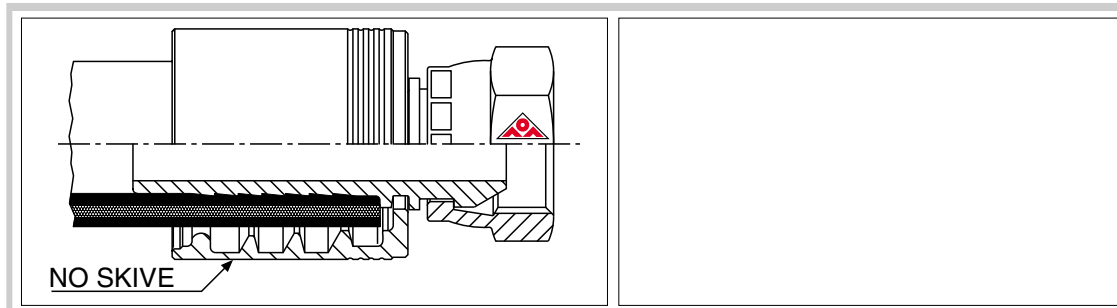


TFPZ3 NO SKIVE

Exceeds requirement of EN 856-R12 WP - DN 25: SAE J 517 (100 R9A) WP



HOSE SIZE			MARKHIP HOSE I. D.	MARKHIP HOSE O. D.	MARKHIP HOSE REINF.	OLMARK FERRULE	OLMARK FERRULE O. D.	OLMARK FERRULE I. D.	OLMARK FERRULE LENGHT	EXTERNAL SKIVING LENGHT	INTERNAL SKIVING LENGHT	Ø CRIMPED FERRULE	* TAIL BORE COLLAPSE SMASS GAUGE		
SIZE	Inch	DIN (mm)	mm	mm	mm	COD.	mm	mm	mm	LE mm (+0,4/-0,2)	LI mm (+0,4/-0,2)	mm (+0/-0,2)			
03															
04															
05															
06															
08															
10															
12	3/4"	19	19,4	31,1	27,9	BP03N12	44	33	45	No Skive	No Skive	36,0	SMCAIPNP12B		
16	1"	25	25,8	39,2	34,8	BP03N16	53	42	54	No Skive	No Skive	44,2	SMCAIPNP16C		
20															
24															
32															



"BP" ferrules use only "IP" inserts.

WARNING:

- OLMARK Company reserves the rights to introduce improving modifications whenever necessary.
- In case of "NO-SKIVE" ferrule crimping, the tail bore collapse value may not respond to what indicated in the table.
- The listed crimping datas have been developed in the OLMARK R&D laboratories and refer to tests carried out on rubber and thermoplastic MARKHIP hoses. Such values are anyway to be considered advisory and not binding for OLMARK cause the impossibility to consider technical variability that only the a skilled coupler can recognize.
- For new applications and different hose brand/sources, modification and technical support, please to contact our technical dpt.

*** SMASS**
For a correct use, please read the indicated characteristics on the suitable document in "download" section.

TFR9R

Hydraulic Connexion

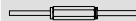


HOSE CRIMPING TABLE

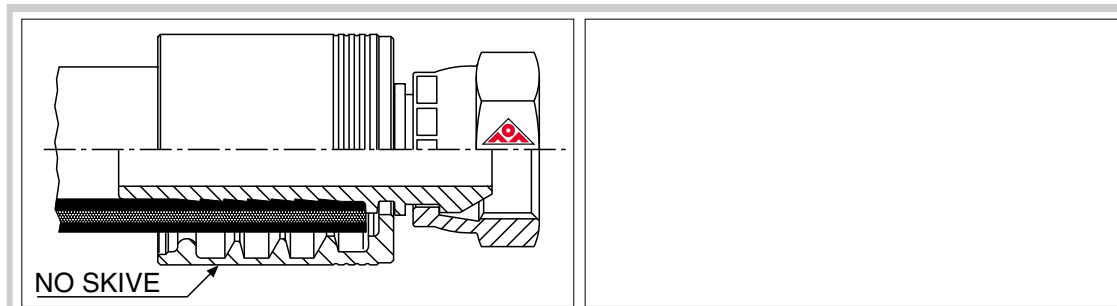


TFR9R NO SKIVE

Exceeds requirement of DIN 20023 - 4SP EN 856 4SP



HOSE SIZE			MARKHIP HOSE I. D.	MARKHIP HOSE O. D.	MARKHIP HOSE REINF.	OLMARK FERRULE	OLMARK FERRULE O. D.	OLMARK FERRULE I. D.	OLMARK FERRULE LENGHT	EXTERNAL SKIVING LENGHT	INTERNAL SKIVING LENGHT	Ø CRIMPED FERRULE	* TAIL BORE COLLAPSE SMASS GAUGE		
SIZE	Inch	DIN (mm)	mm	mm	mm	SERIE	mm	mm	mm	LE mm (+0,4/-0,2)	LI mm (+0,4/-0,2)	mm (+0/-0,2)			
03															
04															
05															
06															
08															
10															
12	3/4"	19	19,4	31,7	28,3	BP03N12	44	33	45	No Skive	No Skive	36,5	SMCAIPNP12B		
16	1"	25	25,6	39	35,4	BP03N16	53	42	54	No Skive	No Skive	44,0	SMCAIPNP16C		
20	1"1/4	32	32,4	47,6	43,3	BP03N20	62	50	57	No Skive	No Skive	51,8		SMCAIP20B	SMCAIP20A
24	1"1/2	38	38,5	53,5	49,6	BP03N24	68	56	68	No Skive	No Skive	58,5		SMCAIP24B	SMCAIP24A
32															



"BP" ferrules use only "IP" inserts.

WARNING:

- OLMARK Company reserves the rights to introduce improving modifications whenever necessary.
- In case of "NO-SKIVE" ferrule crimping, the tail bore collapse value may not respond to what indicated in the table.
- The listed crimping datas have been developed in the OLMARK R&D laboratories and refer to tests carried out on rubber and thermoplastic MARKHIP hoses. Such values are anyway to be considered advisory and not binding for OLMARK cause the impossibility to consider technical variability that only the a skilled coupler can recognize.
- For new applications and different hose brand/sources, modification and technical support, please to contact our technical dpt.

*** SMASS**
For a correct use, please read the indicated characteristics on the suitable document in "download" section.

TF4SH

Hydraulic Connexion

HOSE CRIMPING TABLE

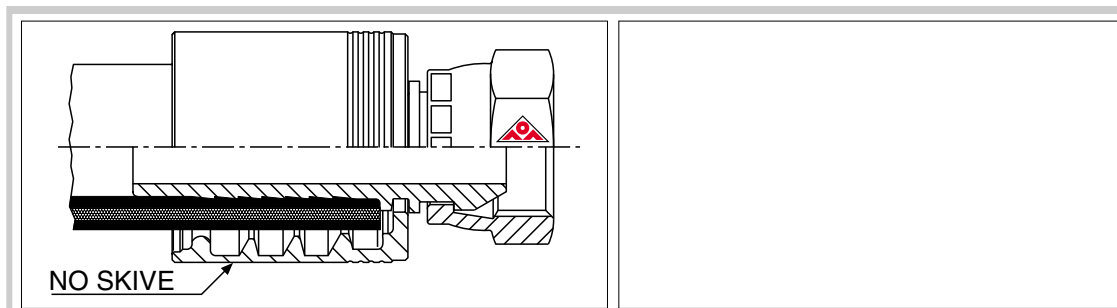


TF4SH NO SKIVE

According to DIN 20023 - 4SH EN 856 4SH



HOSE SIZE			MARKHIP HOSE I. D.	MARKHIP HOSE O. D.	MARKHIP HOSE REINF.	OLMARK FERRULE	OLMARK FERRULE O. D.	OLMARK FERRULE I. D.	OLMARK FERRULE LENGHT	EXTERNAL SKIVING LENGHT	INTERNAL SKIVING LENGHT	Ø CRIMPED FERRULE	* TAIL BORE COLLAPSE SMASS GAUGE		
SIZE	Inch	DIN (mm)	mm	mm	mm	COD.	mm	mm	mm	LE mm (+0,4/-0,2)	LI mm (+0,4/-0,2)	mm (+0/-0,2)			
03															
04															
05															
06															
08															
10															
12	3/4"	19	19,5	32,2	28,3	BP03N12	44	33	45	No Skive	No Skive	36,5	SMCAIPNP12B		
16	1"	25	25,8	38,3	37,2	BP03N16	53	42	54	No Skive	No Skive	44,0	SMCAIPNP16C		
20	1 1/4"	32	32,6	45,2	41,5	BP03N20	62	60	57	No Skive	No Skive	50,5		SMCAIP20B	SMCAINP20A
24	1 1/2"	38	38,6	53,5	49,4	BP03N24	68	56	68	No Skive	No Skive	58,8		SMCAIP24B	SMCAINP24A
32															



"BP" ferrules use only "IP" inserts.

WARNING:

- OLMARK Company reserves the rights to introduce improving modifications whenever necessary.
- In case of "NO-SKIVE" ferrule crimping, the tail bore collapse value may not respond to what indicated in the table.
- The listed crimping datas have been developed in the OLMARK R&D laboratories and refer to tests carried out on rubber and thermoplastic MARKHIP hoses. Such values are anyway to be considered advisory and not binding for OLMARK cause the impossibility to consider technical variability that only the a skilled coupler can recognize.
- For new applications and different hose brand/sources, modification and technical support, please to contact our technical dpt.

*** SMASS**
For a correct use, please read the indicated characteristics on the suitable document in "download" section.

TFSS4

Hydraulic Connexion




HOSE CRIMPING TABLE

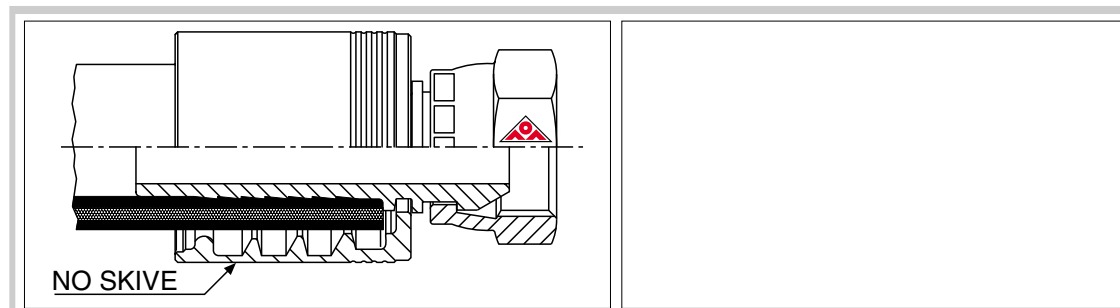


TFSS4 NO SKIVE

Exceeds requirement of DIN 20023 - 4SH EN 856 4SH



HOSE SIZE			MARKHIP HOSE I. D.	MARKHIP HOSE O. D.	MARKHIP HOSE REINF.	OLMARK FERRULE	OLMARK FERRULE O. D.	OLMARK FERRULE I. D.	OLMARK FERRULE LENGHT	EXTERNAL SKIVING LENGHT	INTERNAL SKIVING LENGHT	Ø CRIMPED FERRULE	* TAIL BORE COLLAPSE SMASS GAUGE		
SIZE	Inch	DIN (mm)	mm	mm	mm	COD.	mm	mm	mm	LE mm (+0,4/-0,2)	LI mm (+0,4/-0,2)	mm (+0/-0,2)			
03															
04															
05															
06															
08															
10															
12	3/4"	19	19,3	31,8	28,4	BP03N12	44	33	45	No Skive	No Skive	36,5	SMCAIPNP12B		
16	1"	25	25,6	38,1	35,1	BP03N16	53	42	54	No Skive	No Skive	44,0	SMCAIPNP16C		
20	1 1/4"	32	32,6	45,3	42,7	BP03N20	62	60	57	No Skive	No Skive	50,5		SMCAIP20B	SMCAIP20A
24	1 1/2"	38	38,5	53,5	49,5	BP03N24	68	56	68	No Skive	No Skive	58,8		SMCAIP24B	SMCAIP24A
32															



"BP" ferrules use only "IP" inserts.

WARNING:

- OLMARK Company reserves the rights to introduce improving modifications whenever necessary.
- In case of "NO-SKIVE" ferrule crimping, the tail bore collapse value may not respond to what indicated in the table.
- The listed crimping datas have been developed in the OLMARK R&D laboratories and refer to tests carried out on rubber and thermoplastic MARKHIP hoses. Such values are anyway to be considered advisory and not binding for OLMARK cause the impossibility to consider technical variability that only the a skilled coupler can recognize.
- For new applications and different hose brand/sources, modification and technical support, please to contact our technical dpt.

*** SMASS**
For a correct use, please read the indicated characteristics on the suitable document in "download" section.

TFR8T

Hydraulic Connexion




HOSE CRIMPING TABLE

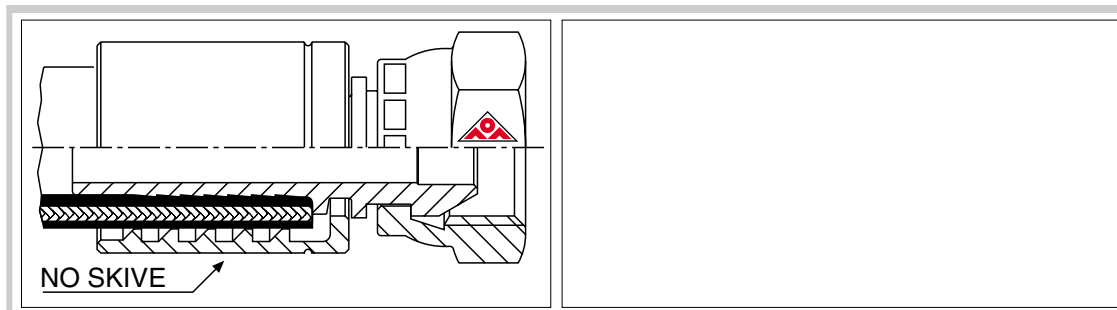


TFR8T

Two steel braids thermoplastic hose



HOSE SIZE			MARKHIP HOSE I. D.	MARKHIP HOSE O. D.	MARKHIP HOSE REINF.	OLMARK FERRULE	OLMARK FERRULE O. D.	OLMARK FERRULE I. D.	OLMARK FERRULE LENGHT	EXTERNAL SKIVING LENGHT	INTERNAL SKIVING LENGHT	Ø CRIMPED FERRULE	* TAIL BORE COLLAPSE SMASS GAUGE		
SIZE	Inch	DIN (mm)	mm	mm	mm	COD.	mm	mm	mm	LE mm (+0,4/-0,2)	LI mm (+0,4/-0,2)	mm (+0/-0,2)			
03															
04	1/4"	6,5	6,4	12,8		BP1SN04	20	14,7	30,8	No Skive	No Skive	16,5	SMCAIPNP04A		
05															
06	3/8"	9,5	9,8	16,8		BP1SN06	24	18,5	30,8	No Skive	No Skive	20,3	SMCAIPNP06A		
08	1/2"	13	13	20,2		BP1SN08	28,5	22	34	No Skive	No Skive	24,6	SMCAIPNP08A		
10	5/8"	16	16,3	23,5		BP1SN10	32	25,2	40	No Skive	No Skive	28,0	SMCAIPNP10A		
12	3/4"	19	19,5	27,5		BP1SN12	36	29	43	No Skive	No Skive	32,0	SMCAIPNP12A		
16															



"BP" ferrules use only "IP" inserts.

WARNING:

- OLMARK Company reserves the rights to introduce improving modifications whenever necessary.
- In case of "NO-SKIVE" ferrule crimping, the tail bore collapse value may not respond to what indicated in the table.
- The listed crimping datas have been developed in the OLMARK R&D laboratories and refer to tests carried out on rubber and thermoplastic MARKHIP hoses. Such values are anyway to be considered advisory and not binding for OLMARK cause the impossibility to consider technical variability that only the a skilled coupler can recognize.
- For new applications and different hose brand/sources, modification and technical support, please to contact our technical dpt.

*** SMASS**

For a correct use, please read the indicated characteristics on the suitable document in "download" section.